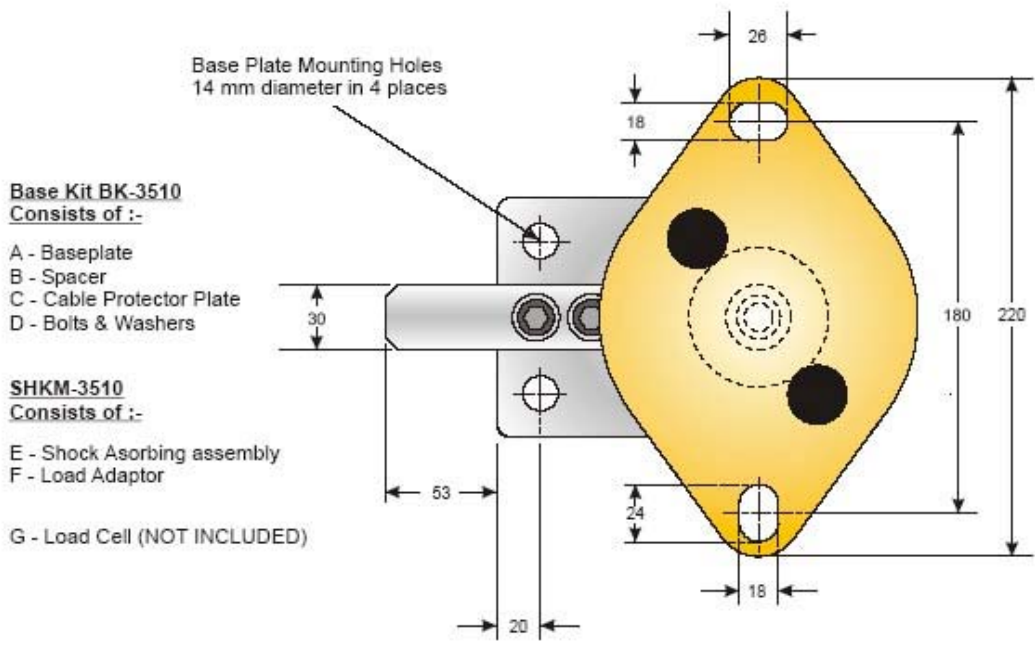
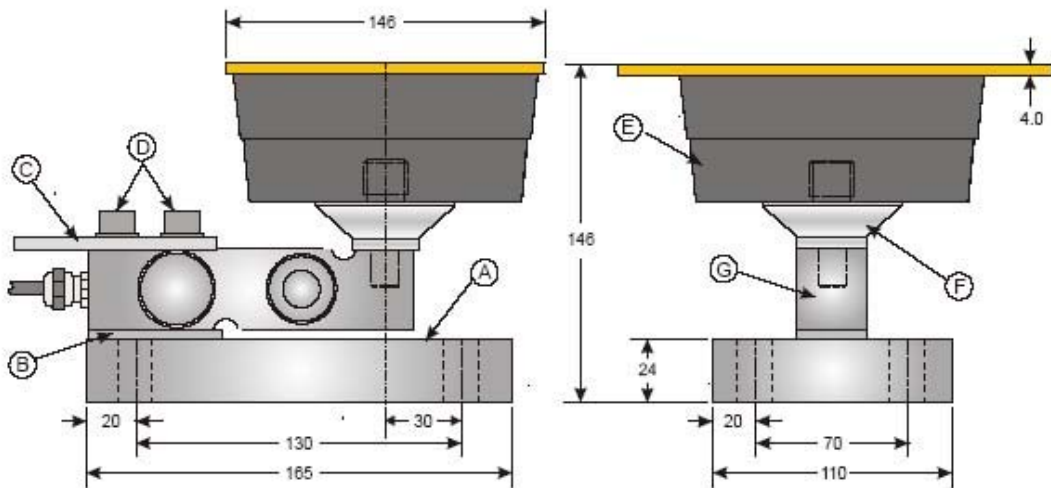


SHKM-3510

Shock Mount for Model 3510 with optional base kit



Base Kit BK-3510
Consists of :-

- A - Baseplate
- B - Spacer
- C - Cable Protector Plate
- D - Bolts & Washers

SHKM-3510
Consists of :-

- E - Shock Absorbing assembly
- F - Load Adaptor

G - Load Cell (NOT INCLUDED)

All Dimensions in mm
Specifications are subject to change without prior notice