

## Type 55-01-07H Rocker System



Rocker System 55-01-07H with RC3 Load Cell



Flintec Bubble Level

Flintec load cell supports are designed to prevent unwanted forces from affecting load cell performance.

The Type 55-01-07H is a self aligning rocker system, combining excellent load introduction with low profile design.

Especially designed for the RC3/RC3D load cells.

Material: steel, zinc plated.

The unique Flintec bubble level is available for accurate vertical alignment of the load cell.

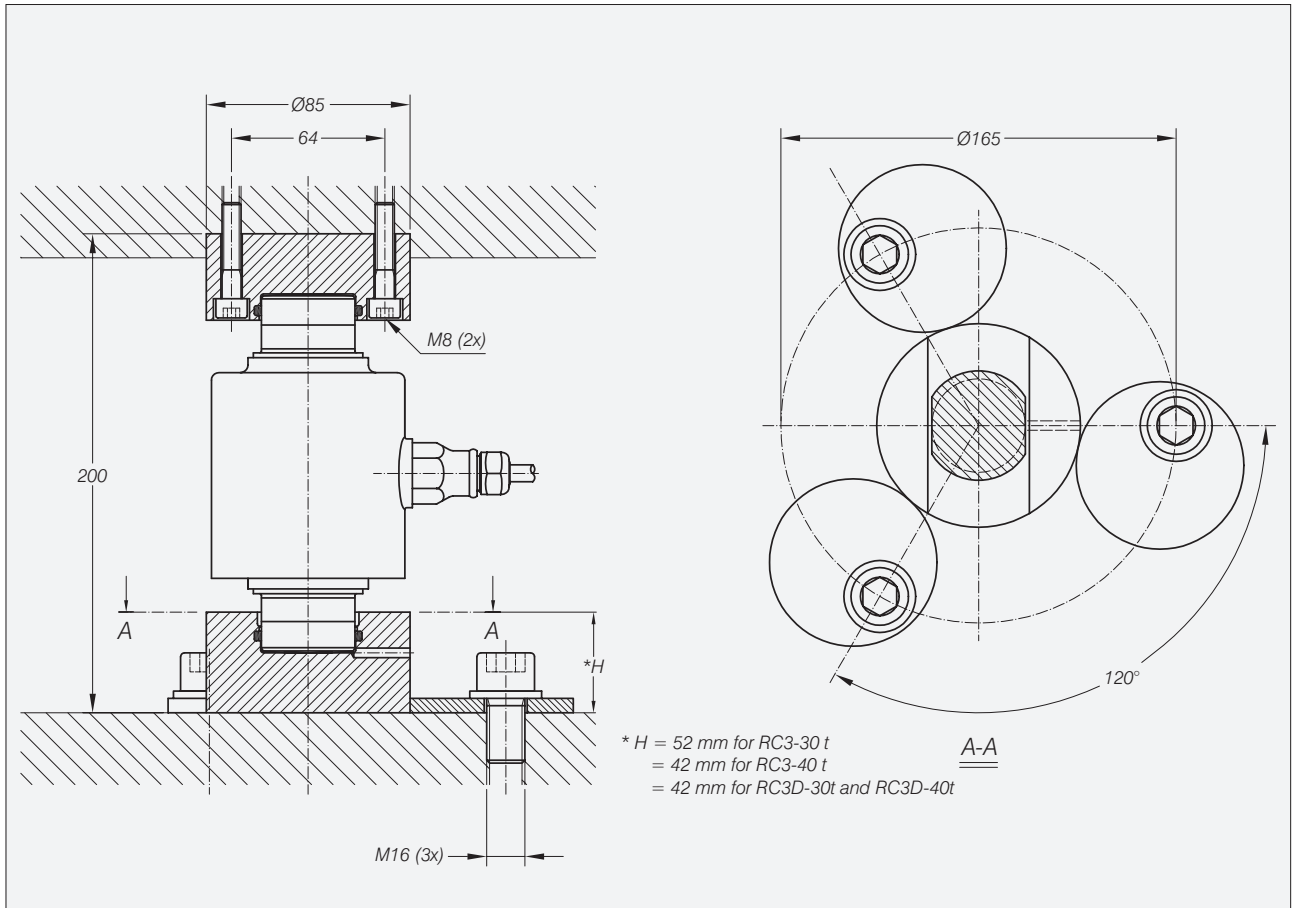
### Important Features

- Capacity 30 t and 40 t.
- Low cost.
- Very easy to install.
- Especially designed for weigh bridges.
- W&M certified.

### Accessories

- Bubble level.

**Dimensions**



All dimensions in mm. Dimensions and specifications are subject to change without notice.  
 Assembly drawings with installation instructions and CAD files for customer's own applications drawings are available on request.