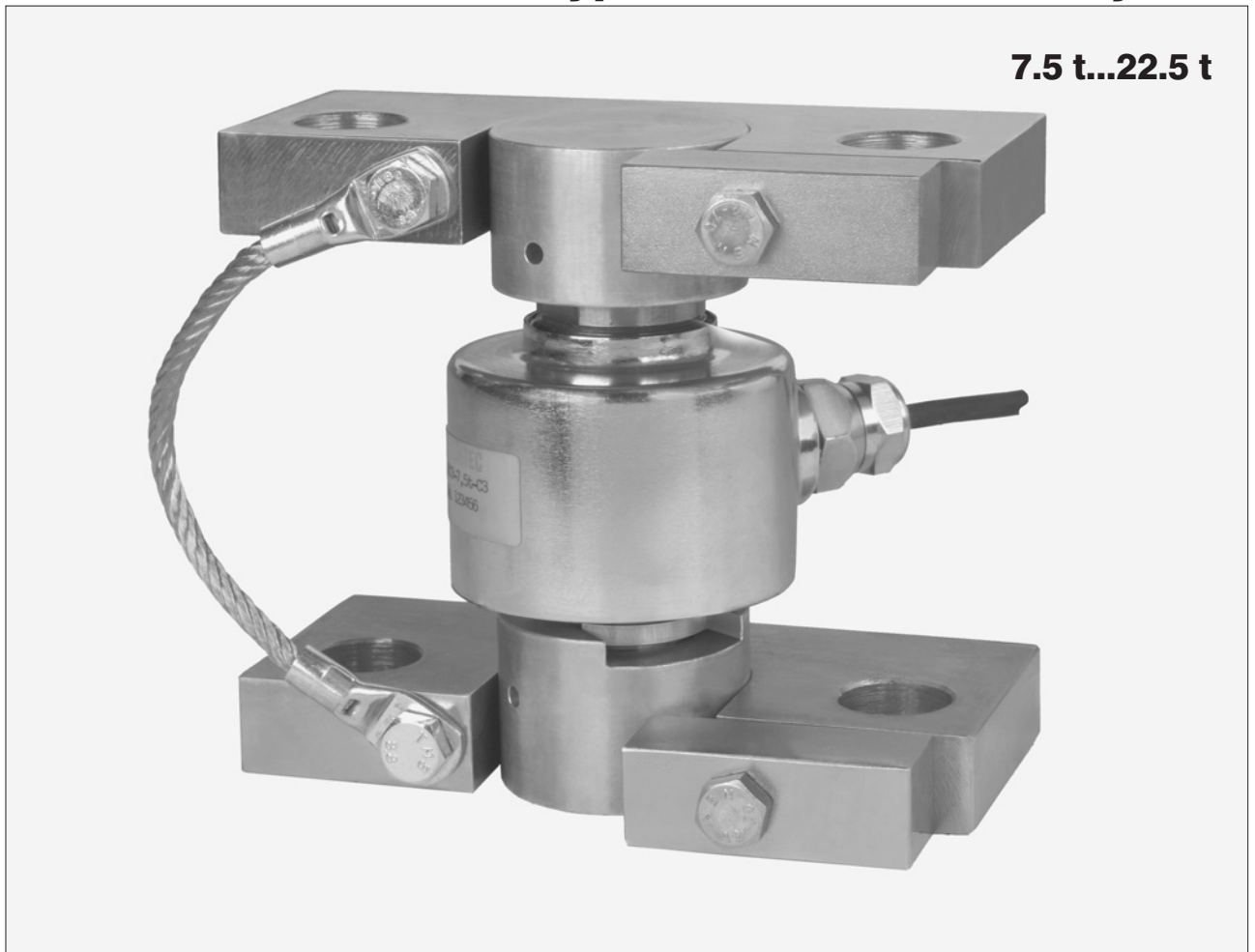


Type 55-01-07D Rocker System

7.5 t...22.5 t



Rocker System 55-01-07D with RC3 Load Cell

Flintec load cell supports are designed to prevent unwanted forces from affecting load cell performance.

The Type 55-01-07D is a self aligning rocker system, combining excellent load introduction with low profile design.

Especially designed for the RC3/RC3D load cells.

Material: steel, zinc plated.

An alignment fixture is available for accurate vertical alignment of the load cell.

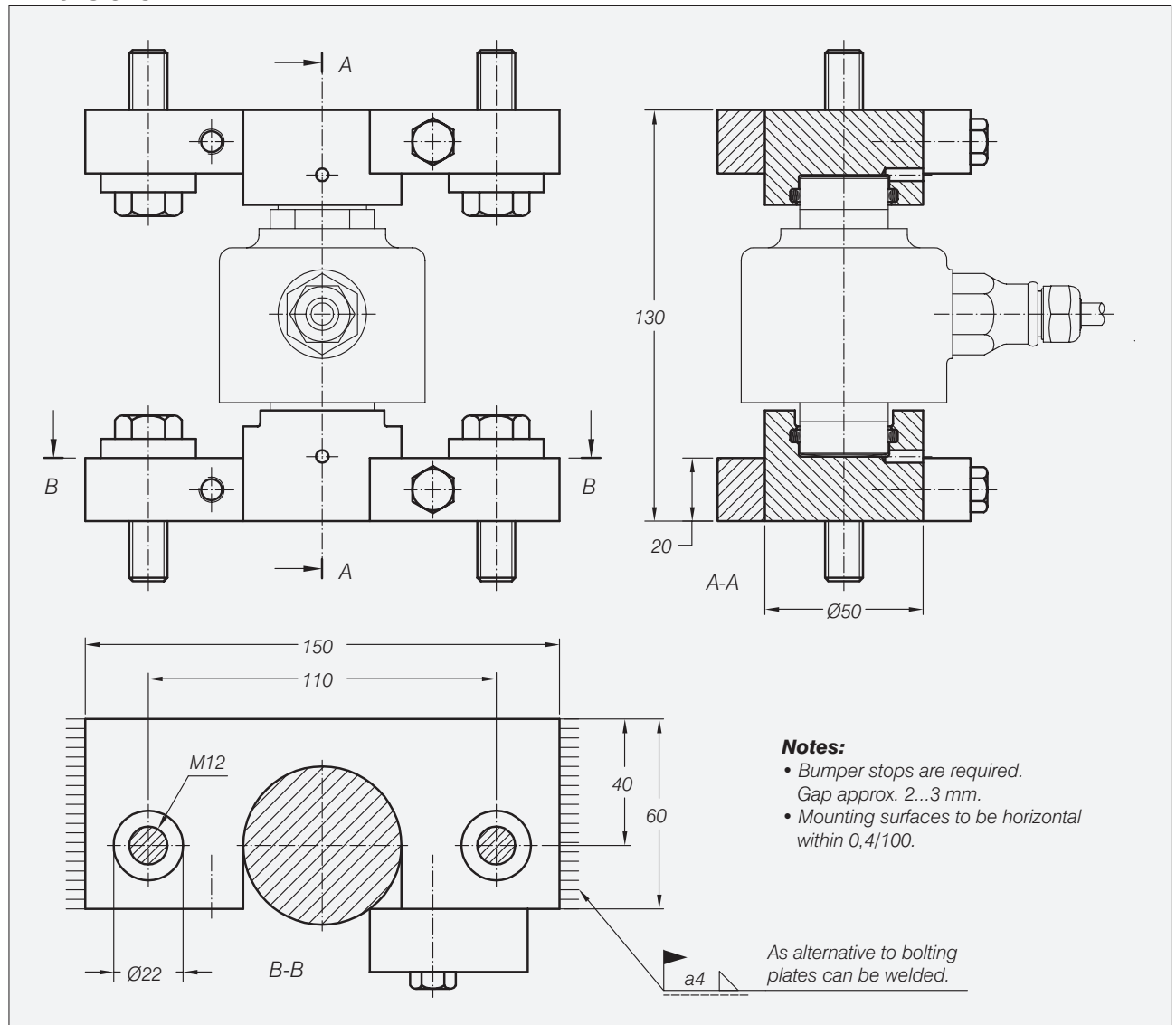
Important Features

- Capacity 7.5 t, 15 t and 22.5 t.
- Very low profile.
- Low cost.
- Very easy to install.
- Especially designed for medium and high capacity platform scales.
- W&M certified.

Accessories

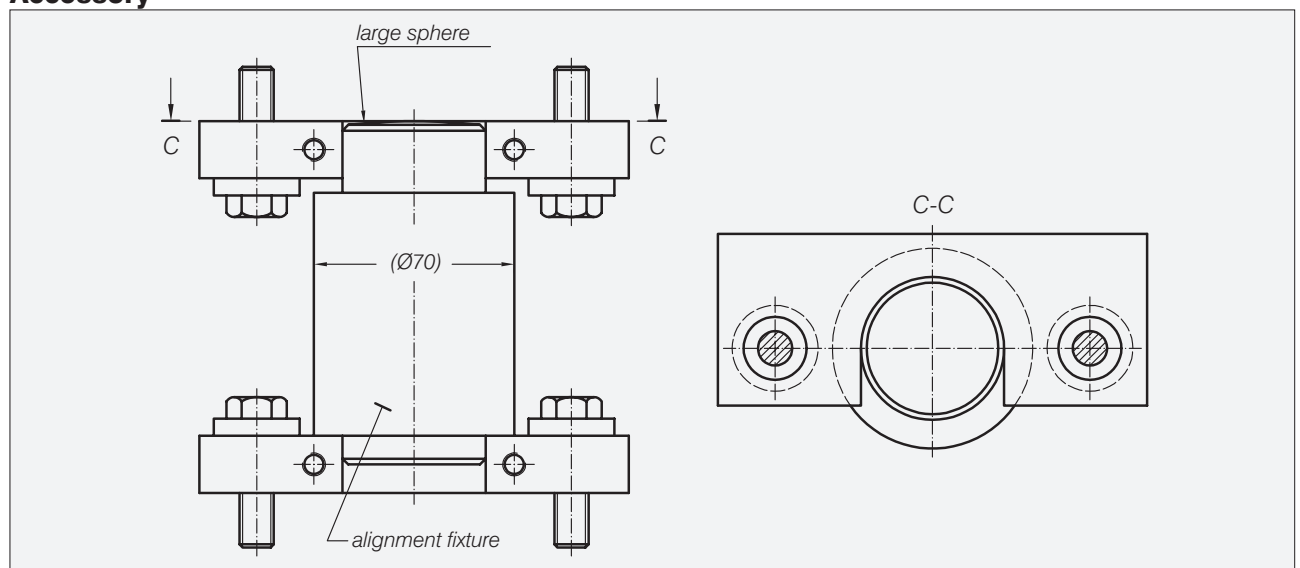
- Alignment fixture.
- Welding plate.

Dimensions



All dimensions in mm. Dimensions and specifications are subject to change without notice. Assembly drawings with installation instructions and CAD files for customer's own applications drawings are available on request.

Accessory



The alignment fixture is used for easy and accurate positioning.