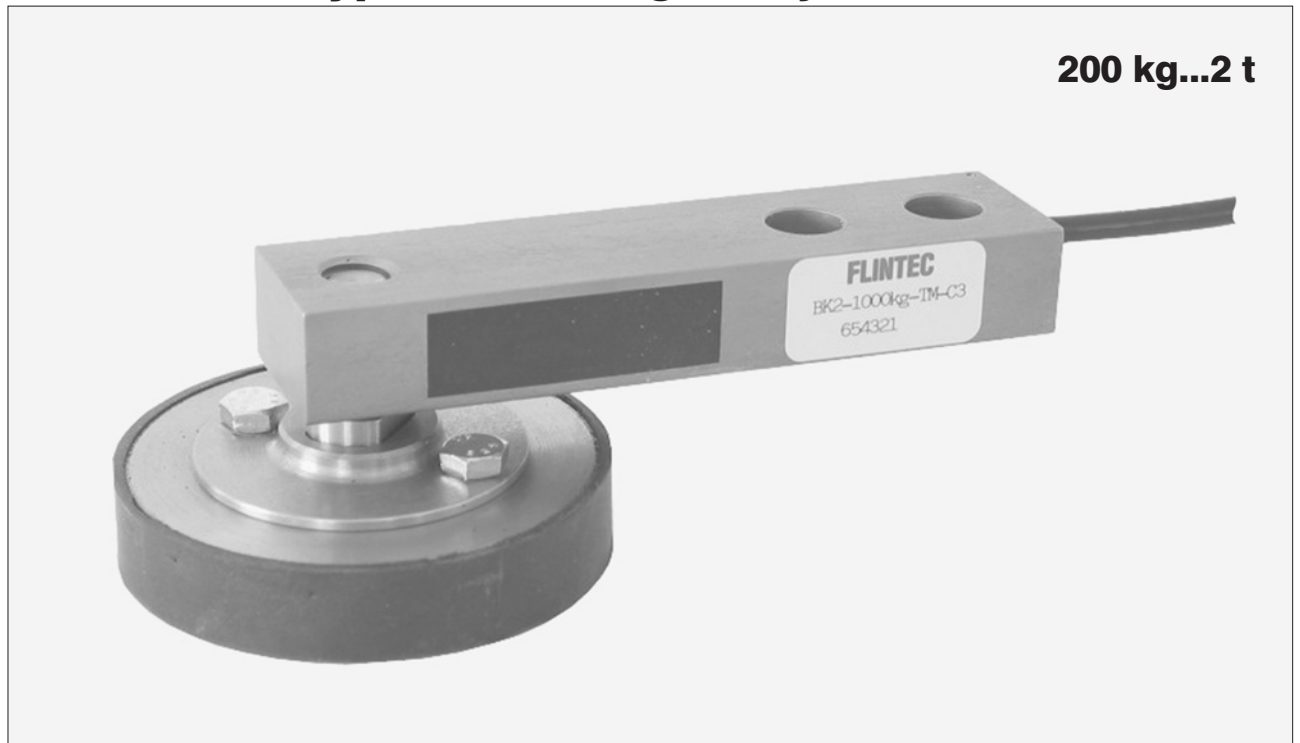


Type 52-15 Height Adjustable Rubber Foot



Height adjustable rubber foot 52-15 and BK2 load cell (Height adjustable by rotation of the foot)

Flintec load cell supports are designed to prevent unwanted forces from affecting load cell performance.

The Type 52-15 is an height adjustable, self aligning rubber foot; combining excellent load introduction with low profile design.

Especially designed for the BK2 load cells (BK2-xxx kg-TM-Cx and BK2-xxx kg-TU-Cx).

Available in 2 versions:

- Metric version: Height adjustable by rotation of the foot,
- Unified version: Height adjustable by rotation of pin from top.

Material: stainless steel.

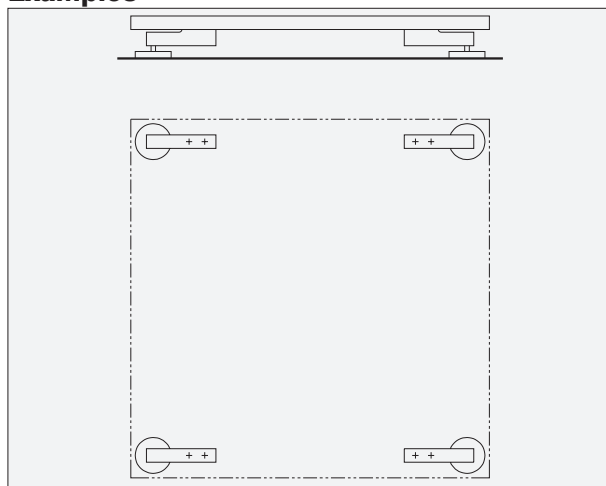
Important Features

- Capacity range: 200 kg to 2000 kg.
- Low profile.
- Available in 2 versions.
- Very easy to install.
- Especially designed for platform scales.
- W&M certified.

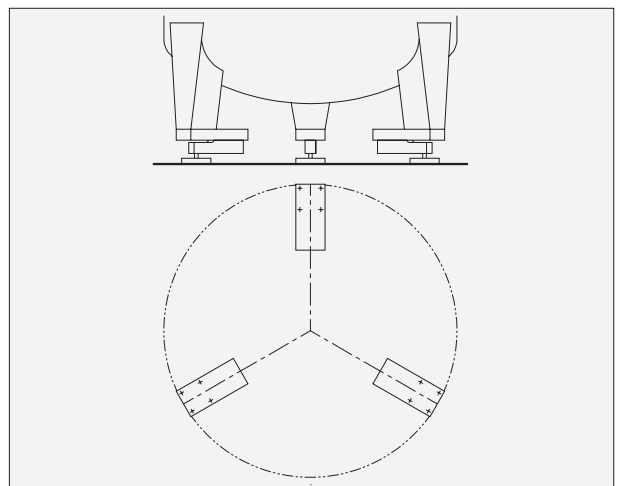
Accessory

- Fixation plate.

Examples



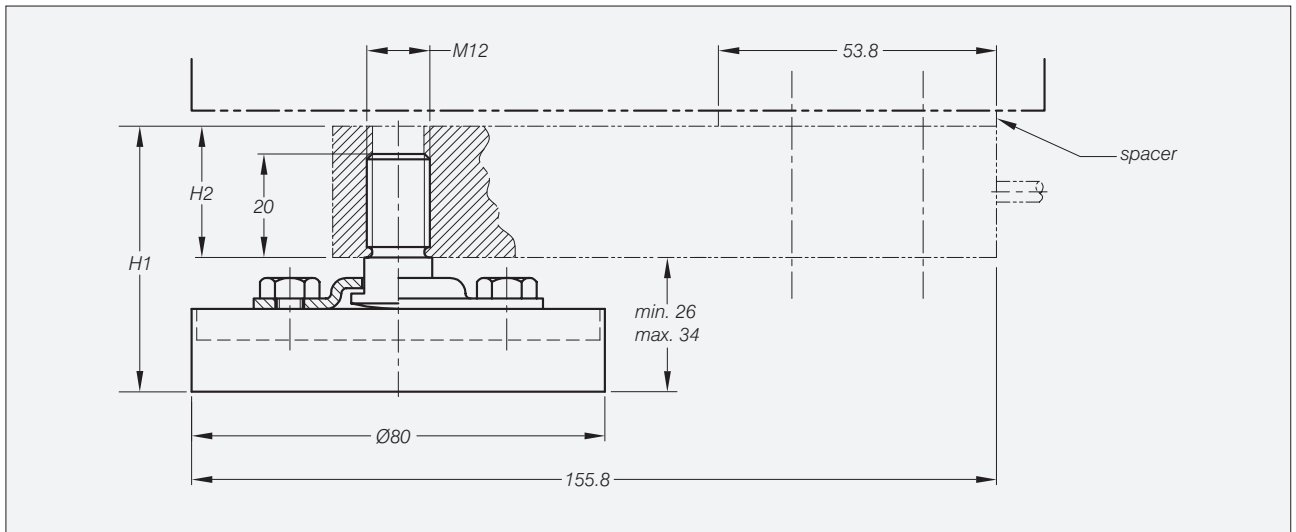
Platform scale with 4 load cells



Tank weighing system with 3 load cells
(recommended base plate 52-00 included)

Metric version

Height adjustable by rotation of the foot (BK2-xxx kg-TM-Cx)

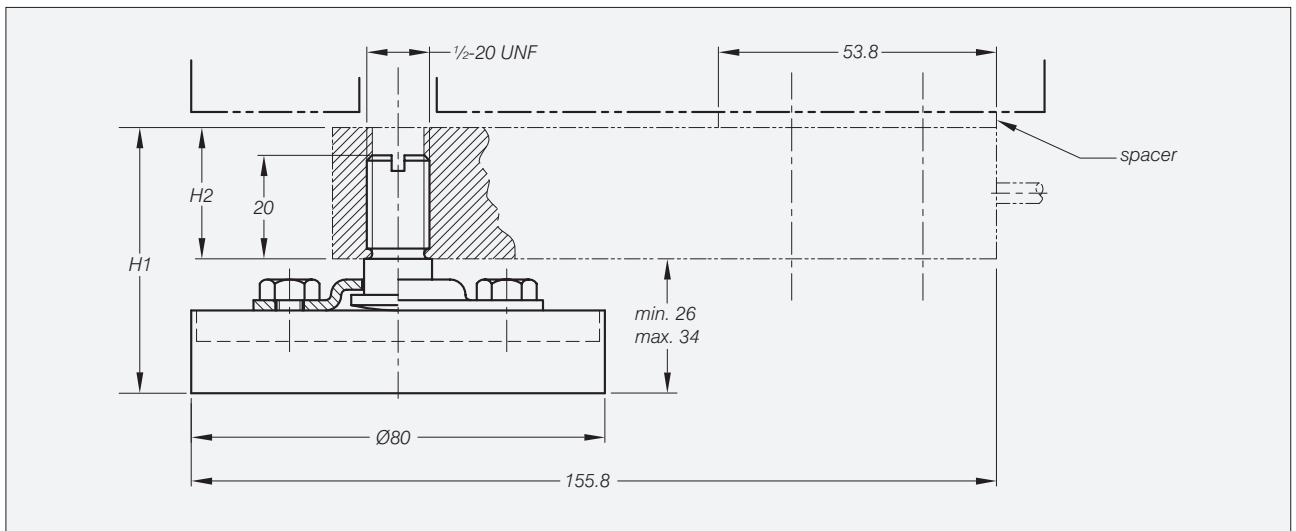


Load Cell	Total height H1	Load cell height H2	*Extension above load cell	*Remark:
BK2-200 kg	38.7...46.7	12.7	0...7.3	The height of the BK2 load cell (H2) depends on its maximum capacity. The loading pin has a thread length of 20 mm. At the minimum total height (H1) the loading pin extends significantly above the load cell for the maximum capacities 200 and 500 kg. This value is calculated in the column "Extension above load cell" The height of the spacer should be adapted accordingly.
BK2-500 kg	41.9...49.9	15.9	0...4.1	
BK2-1000 kg	45.1...53.1	19.1	0...0.9	
BK2-2000 kg	51.4...59.4	25.4	n.a.	

All dimensions in mm. Dimensions and specifications are subject to change without notice. CAD files for customer's own applications drawings are available on request.

Unified version

Height adjustable by rotation of pin from top (BK2-xxx kg-TU-Cx)



Fixation Plates for Rubber Feet

Material: black polypropylen

- Symmetrical for foot with diameter Ø60.
- Symmetrical for foot with diameter Ø80.
- Asymmetrical for foot with diameter Ø60.
- Asymmetrical for foot with diameter Ø80.
- Asymmetrical for foot with diameter Ø100.

Dimensions Fixation Plates

