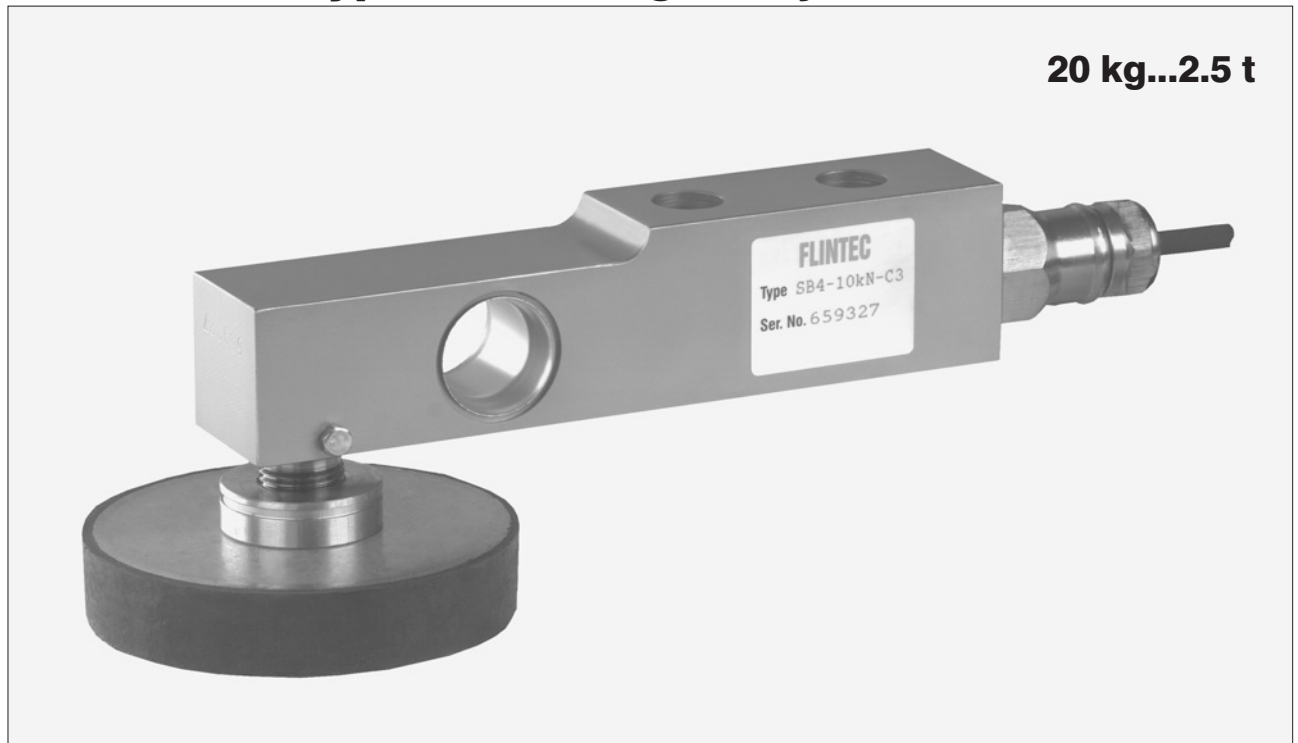


Type 52-10 Height Adjustable Rubber Foot



Height adjustable rubber foot 52-10 and SB4 load cell

Flintec load cell supports are designed to prevent unwanted forces from affecting load cell performance.

The Type 52-10 is an height adjustable, self aligning rubber foot; combining excellent load introduction with low profile design. Height adjustable by rotation of the foot.

Especially designed for the SB4, SB5, SB6, SB14 and SLB load cells.

Material: steel, zinc plated; alternatively stainless steel.

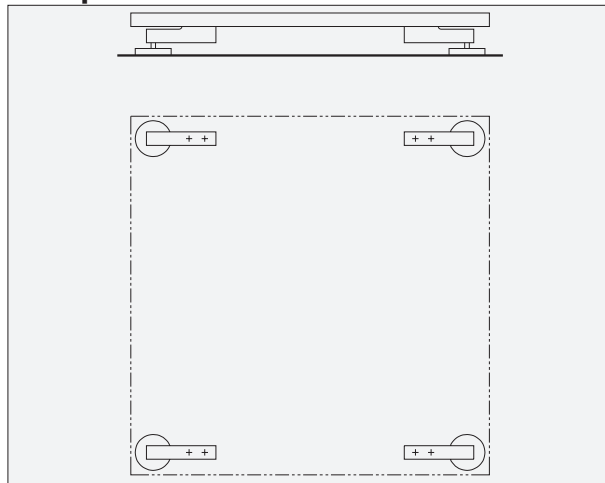
Important Features

- Blind hole load introduction.
- Capacity range: 20 kg to 2 500 kg.
- Low profile.
- Height adjustable by rotation.
- Very easy to install.
- Especially designed for platform scales.
- W&M certified.

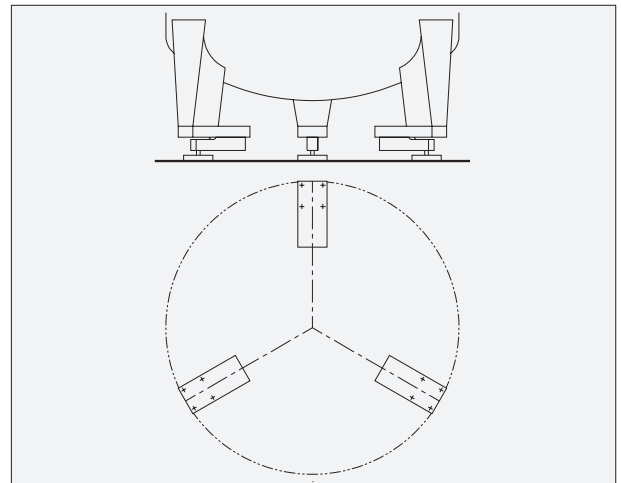
Accessory

- Fixation plate.

Examples

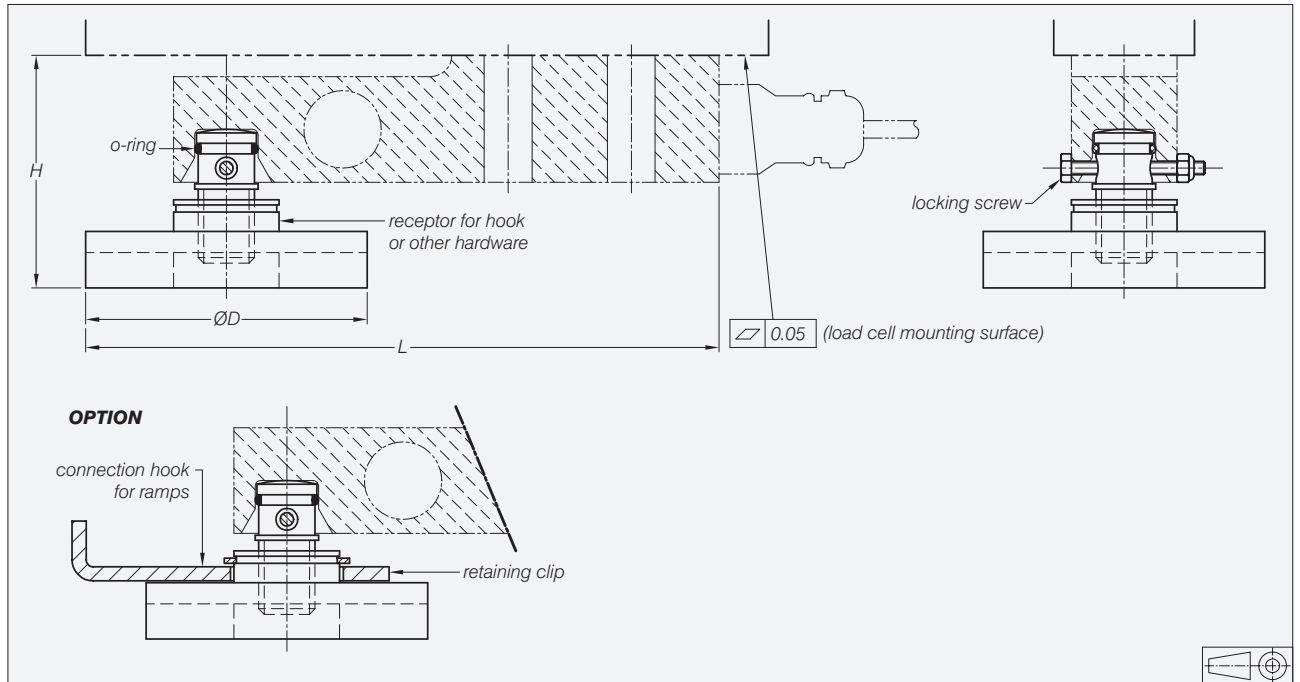


Platform scale with 4 load cells



Tank weighing system with 3 load cells
(recommended base plate 52-00 included)

Dimensions

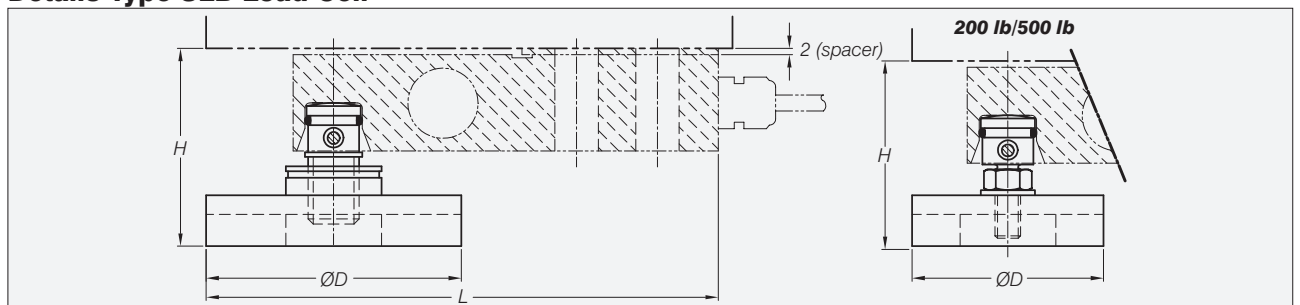


| Load Cell Type | Capacity in kg | L | H | D |
|--------------------------|-----------------|-----|----------|----|
| SB4/SB5-5 kN/10 kN/20 kN | 510/1020/2039 | 180 | 63...71 | 80 |
| SB6-200 N/500 N1 kN/2 kN | 20.4/51/102/204 | 150 | 65...71* | 60 |
| SB14-500 lb/1 klb | 227/454 | 164 | 58...66 | 80 |
| SB14-2.5 klb/5 klb | 1134/2268 | 164 | 60...68* | 80 |
| SLB-200 lb/500 lb | 91/227 | 154 | 57...63* | 60 |
| SLB-1 klb/2.5 klb/5 klb | 454/1134/2268 | 164 | 59...67* | 80 |

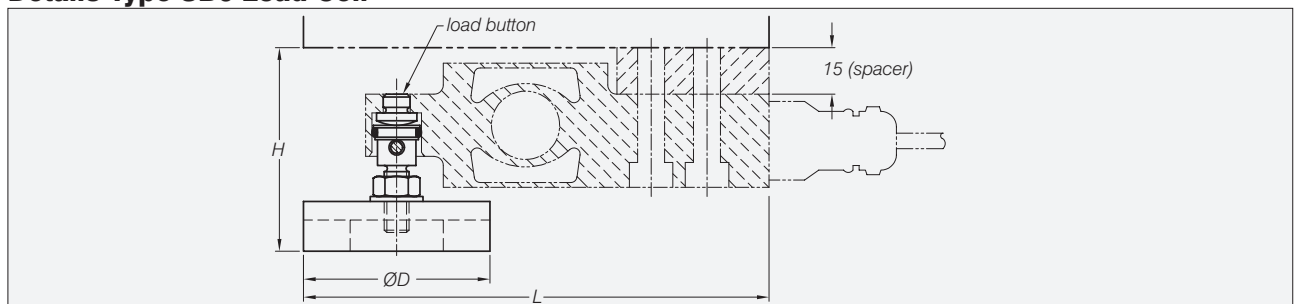
* Including spacer.

All dimensions in mm. Dimensions and specifications are subject to change without notice. CAD files for customer's own applications drawings are available on request.

Details Type SLB Load Cell



Details Type SB6 Load Cell



Fixation Plates for Rubber Feet

Material: black polypropylen

- Symmetrical for foot with diameter Ø60.
- Symmetrical for foot with diameter Ø80.
- Asymmetrical for foot with diameter Ø60.
- Asymmetrical for foot with diameter Ø80.
- Asymmetrical for foot with diameter Ø100.

Dimensions Fixation Plates

