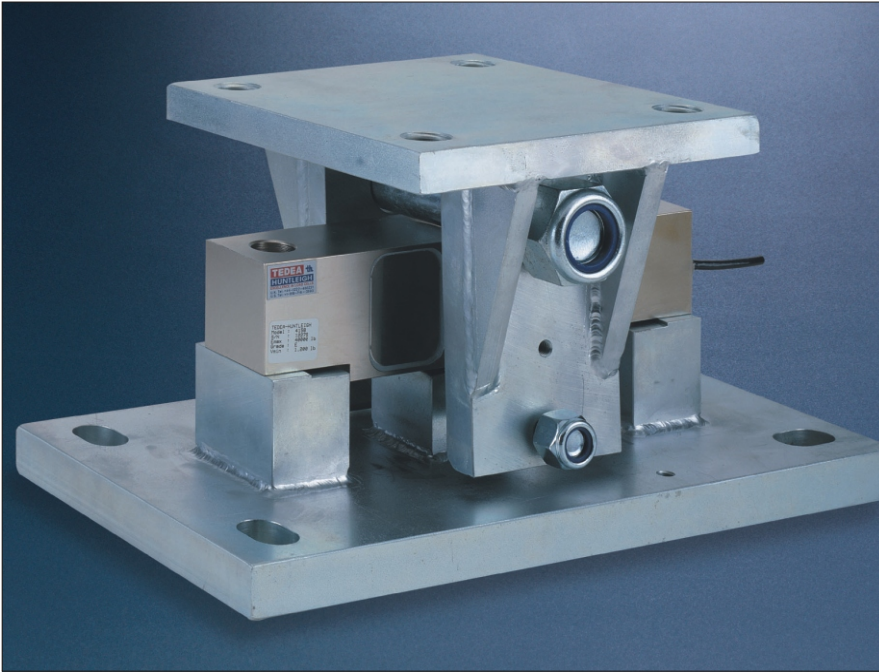


# 4158 SILO MOUNT

**TEDEA**   
**HUNTLEIGH**  
EXCELLENCE IN LOAD CELLS



## TEDEA-HUNTLEIGH heavy duty silo mount for use with the model 4158 load cell.

- Capacities up to 75,000lbs.
- Use on tanks or silos.
- All steel construction.
- Low profile.
- Simple installation.

The 4158 silo mount is suitable for the support of tanks and silos, making it ideal for indoor or outdoor process control applications.

It is designed to support a uniformly distributed load and will allow tilt in any direction up to a maximum of  $\pm 3^\circ$ .

It forms a compact assembly which is rugged and tolerant of heavy industrial environments. Heavy gauge steel plate provides a rigid, robust load cell mount for high accuracy and prolonged life.

It incorporates lift-off protection and allows for thermal expansion of the weighing vessel.

### Europe

Tedea-Huntleigh Europe Ltd.  
37 Portmanmoor Road,  
Cardiff  
CF24 5HE  
United Kingdom.  
Tel : +44-1222-460231  
Fax : +44-1222-462173

### International

Tedea-Huntleigh International Ltd  
10 Hazoran St,  
New Industrial Zone  
P.O. Box 8381, Netanya 42506,  
Israel.  
Tel : +972-9-863-8888  
Fax : +972-9-863-8800

### China

Beijing Tedea-Huntleigh.  
No. 16 Hong Da Bei Lu,  
Da Xing County, Beijing Economic  
& Technology Development Area,  
Beijing 100076.  
Tel : +86-10-67881604-06  
Fax: +86-10-67881576

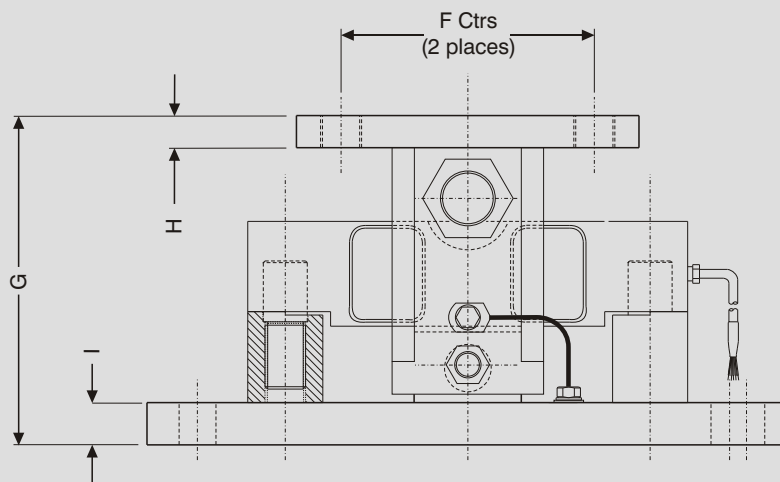
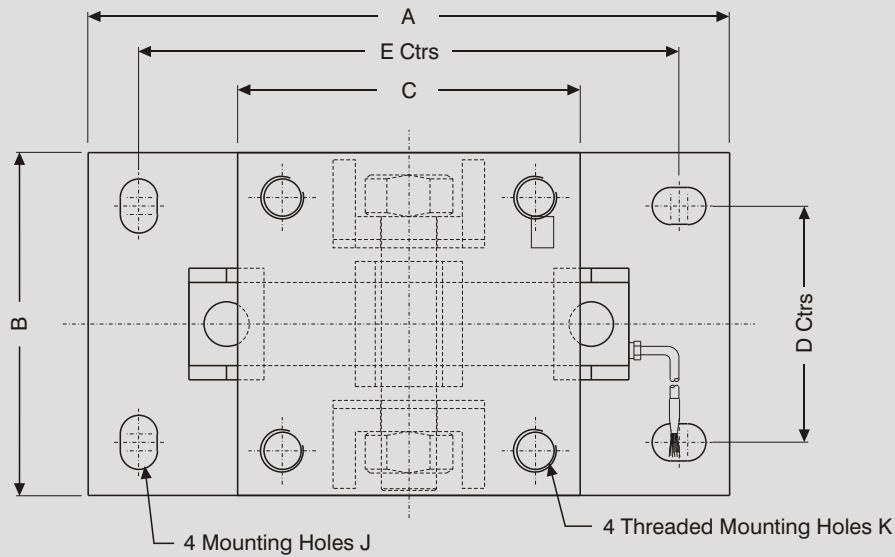
### Germany

Tedea-Huntleigh GmbH.  
Mümlingweg 18  
D-64297  
Darmstadt-Eberstadt,  
Germany.  
Tel : +49-6151-94460  
Fax : +49-6151-944640

### USA

Tedea-Huntleigh Incorporated.  
7800 Deering Avenue,  
Canoga Park,  
California,  
CA91304.  
Tel : +1-818-716-0593  
Fax : +1-818-340-1175

# 4158 SILO MOUNT SPECIFICATION



This mount is designed for a uniformly distributed load on the top and bottom surfaces

Capacity	A	B	C	D	E	F	G	H	I	J	K
10-25 klb	240	180	180	130	190	130	142	12.7	19	Ø18x28	M20
40 klb	380	203	203	140	320	150	195	19	25	Ø22x32	M24
50-75 klb	380	203	203	140	320	150	210	19	25	Ø22x32	M24

Mounting kits are designated by capacity as;

- MTS-4158-1025
- MTS-4158-40
- MTS-4158-5075

Each comprises base plate assy, top plate assy, loading pin & support, bottom pin, mounting posts, retaining clips, earth strap with bolts & washers.

Tedea-Huntleigh provide installation details separately, please refer to the relevant Information Sheet , I.S. 00023.

**Also available from Tedea-Huntleigh**

High capacity load cells & accessories for other applications.

Please enquire to Tedea-Huntleigh or your local distributor.



EXCELLENCE IN LOAD CELLS

Due to Tedea-Huntleigh's policy of continuous development, these specifications are subject to change without notice.