

Single-Ended Beam



FEATURES

- High side-load tolerance
- Electroless nickel-plated-alloy tool steel
- NTEP Class III 5,000M for SQB, SQB-F and SQB-SS available from 1k to 10k lb
- SQB-SS stainless steel construction

DESCRIPTION

SQB is a single-ended shear beam load cell designed for multiple cell applications such as low profile platform or small tank scales when used with proper mounting accessories. It is insensitive to side loading and capable of reversed loading.

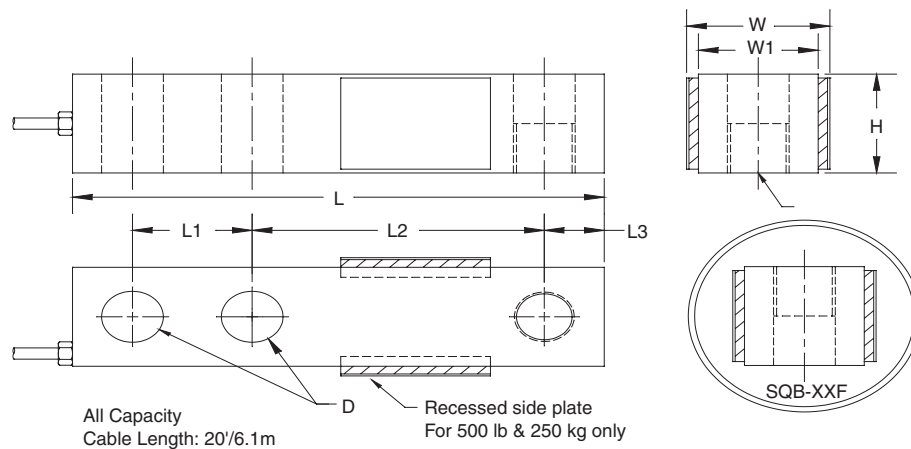
SQB and SQB-F are constructed of alloy steel and fully potted with special chemical

compounds to IP67 to protect the cell from water and moisture damage.

APPLICATIONS

- Truck/ Rail scales
- Silo/ Hopper/Tank weighing
- Platform scales (multiple load cells)
- Pallet truck scales
- Packaging machines

OUTLINE DIMENSIONS



CAPACITY		L	L1	L2	L3	W	W1	H	D	T
250 kg	mm	130.0	25.4	76.2	12.7	31.7	31.7	25.4	13.5	M12x1.75
500 lb	(inch)	5.12	1.00	3.00	0.50	1.25	1.25	1.00	0.53	1/2-20UNF
500/ 1000/ 1500/ 2000 kg	mm	130.0	25.4	76.2	12.7	38.1	31.7	31.7	13.5	M12x1.75
1K / 2K / 2.5K / 3K / 4K / 5KSE lb	(inch)	5.12	1.00	3.00	0.50	1.50	1.25	1.25	0.53	1/2-20UNF
2500/ 5000 kg	mm	171.5	38.1	95.3	19.0	44.2	38.1	38.1	19.8	M20x1.5
5K / 10K lb	(inch)	6.75	1.50	3.75	0.75	1.74	1.50	1.50	0.78	3/4-16UNF
15K / 20K lb	mm	225.6	50.8	123.9	25.4	56.9	50.8	50.8	26.2	-----
	(inch)	8.88	2.00	4.88	1.00	2.24	2.00	2.00	1.03	1-14UNS



SPECIFICATIONS

Capacity	Standard	NTEP Class III5,000M
	500, 1K, 2K, 2.5K, 3K, 4K, 5KSE, 5K, 10K, 15K, 20K lb 250, 500, 1000, 1500, 2000, 2500, 5000 kg	1K, 2K, 2.5K, 3K, 4K, 5KSE, 5K, 10K lb
Recommended Excitation	10 V AC/DC	
Maximum Excitation	15 V AC/DC	
Output at Rated Load	3 mV/V \pm 0.25%	
Non linearity	0.03% (ss:0.05%)	0.025%
Hysteresis Error	0.03% (ss:0.05%)	0.025%
Non Repeatability	0.02%	
Creep (20 minutes)	0.03%	0.025%
Zero Return (20 minutes)	0.03%	0.025%
Temp. Effect/10°C on Span	0.015%	0.010%
Temp. Effect/10°C on Zero	0.026%	0.017%
Compensated Temp. Range	-10°C to 40°C	
Operating Temp. Range	-20°C to 60°C	
Zero Balance	\pm 1%	
Input Resistance	385 \pm 5 Ω	
Output Resistance	350 \pm 3 Ω	
Insulation Resistance (50VDC)	>5000M Ω	
Deflection at Rated Load	<1mm	
Safe Overload	150%	
Ultimate Overload	300%	
Minimum Dead Load (%)	1	
Vmin (% %)	Single 0.9 Multiple 0.75	
* 500lb & 250kg constructed by bending beam.		

All specifications listed subject to change without notice.

VISHAY TRANSDUCERS (VT) SALES OFFICES

VT Americas Covina, CA

PH: +1-626-858-8899
FAX: +1-626-332-3418
vt.us@vishaymg.com

VMG France Chartres

PH: +33-2-37-33-31-20
FAX: +33-2-37-33-31-29
vt.fr@vishaymg.com

VT Canada Toronto

PH: +1-416-251-2554
FAX: +1-416-251-2690
vt.can@vishaymg.com

VMG Iberica Madrid

PH: +34-91-7218890
FAX: +34-91-7219056
vt.es@vishaymg.com

VMG UK Basingstoke

PH: +44-125-646-2131
FAX: +44-125-647-1441
vt.uk@vishaymg.com

VMG Israel Netanya

PH: +972-9-863-8888
FAX: +972-9-863-8800
vt.il@vishaymg.com

VT Sweden Karlskoga

PH: +46-586-630-00
FAX: +46-586-630-99
vt.se@vishaymg.com

VT China Tianjin

PH: +86-22-2835-3503
FAX: +86-22-2835-7261
vt.prc@vishaymg.com

VMG Germany Heilbronn

PH: +49-7131-3901-260
FAX: +49-7131-3901-2666
vt.de@vishaymg.com

VT Taiwan* Taipei

PH: +886-2-2696-0168
FAX: +886-2-2696-4965
vt.roc@vishaymg.com
*Asia except China