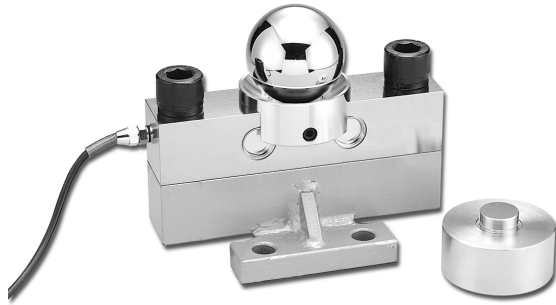


Miniature Double Ended Beam



FEATURES

- Capacities 10-50t
- High side load tolerance
- Electroless nickel plated alloy tool steel
- Surge protection optional for 10t to 50t

OPTIONAL FEATURES

- Hermetically sealed available

DESCRIPTION

MDB is designed for truck and rail scales in high capacities with low profile. The design of loading through a ball is insensitive to side load.

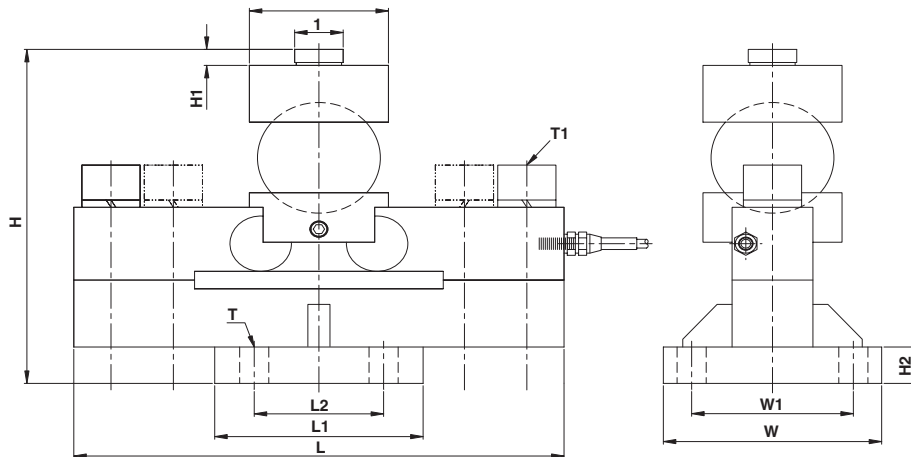
MDB is constructed of alloy steel and is fully potted and sealed with special chemical compounds to IP65 providing excellent protection against water and moisture at-

tack. MDB Hermetically-Sealed is constructed to IP 67 providing excellent protection against corrosive and wash-down environments.

APPLICATIONS

- Truck / rail scales
- Silo / hopper / tank weighing

OUTLINE DIMENSIONS



CAPACITY		L	L1	L2	H	H1	H2	Ø	Ø1	W	W1	T	T1
10/20/25/30t	mm	240	125	80	230	11	20	88	30	135	100	4-Ø18	2-M24
	(inch)	9.45	4.92	3.15	8.85	0.43	0.79	3.46	1.18	5.31	3.94		
40-50t	mm	340	160	124	261	11	20	98	40	160	124	4-Ø21	4-M24
	(inch)	13.38	6.30	4.88	10.28	0.43	0.79	3.86	1.57	6.30	4.88		



SPECIFICATIONS

Capacity	10, 20, 25, 30, 40, 50t
Recommended Excitation	10 V AC/DC
Maximum Excitation	15 V AC/DC
Output at Rated Load	2 mV/V \pm 0.2%
Non linearity	0.03%
Hysteresis Error	0.03%
Non Repeatability	0.02%
Creep (20 minutes)	0.03%
Zero Return (20 minutes)	0.03%
Temp. Effect/10°C on Span	0.015%
Temp. Effect/10°C on Zero	0.026%
Compensated Temp. Range	-10°C to 40°C
Operating Temp. Range	-20°C to 60°C
Zero Balance	\pm 1%
Input Resistance	770 \pm 10 Ω
Output Resistance	700 \pm 5 Ω
Insulation Resistance (50 VDC)	>5000M Ω
Deflection at Rated Load	<1mm
Safe Overload	150%
Ultimate Overload	300%

All specifications listed subject to change without notice.

VISHAY TRANSDUCERS (VT) SALES OFFICES

VT Americas
Covina, CA

PH: +1-626-858-8899
FAX: +1-626-332-3418
vt.us@vishaymg.com

VMG France
Chartres

PH: +33-2-37-33-31-20
FAX: +33-2-37-33-31-29
vt.fr@vishaymg.com

VT Canada
Toronto

PH: +1-416-251-2554
FAX: +1-416-251-2690
vt.can@vishaymg.com

VMG Iberica
Madrid

PH: +34-91-7218890
FAX: +34-91-7219056
vt.es@vishaymg.com

VMG UK
Basingstoke

PH: +44-125-646-2131
FAX: +44-125-647-1441
vt.uk@vishaymg.com

VMG Israel
Netanya

PH: +972-9-863-8888
FAX: +972-9-863-8800
vt.il@vishaymg.com

VT Sweden
Karlskoga

PH: +46-586-630-00
FAX: +46-586-630-99
vt.se@vishaymg.com

VT China
Tianjin

PH: +86-22-2835-3503
FAX: +86-22-2835-7261
vt.prc@vishaymg.com

VMG Germany
Heilbronn

PH: +49-7131-3901-260
FAX: +49-7131-3901-2666
vt.de@vishaymg.com

VT Taiwan*
Taipei

PH: +886-2-2696-0168
FAX: +886-2-2696-4965
vt.roc@vishaymg.com
*Asia except China