

Low-Profile Single Point



FEATURES

- Small size with low profile
- Anodized aluminum
- NTEP Class III 5000S approval from 3kg to 30kg
- OIML C3 approval from 6kg to 35kg
- Platform size: 16"x16"/ 40cmx40cm

DESCRIPTION

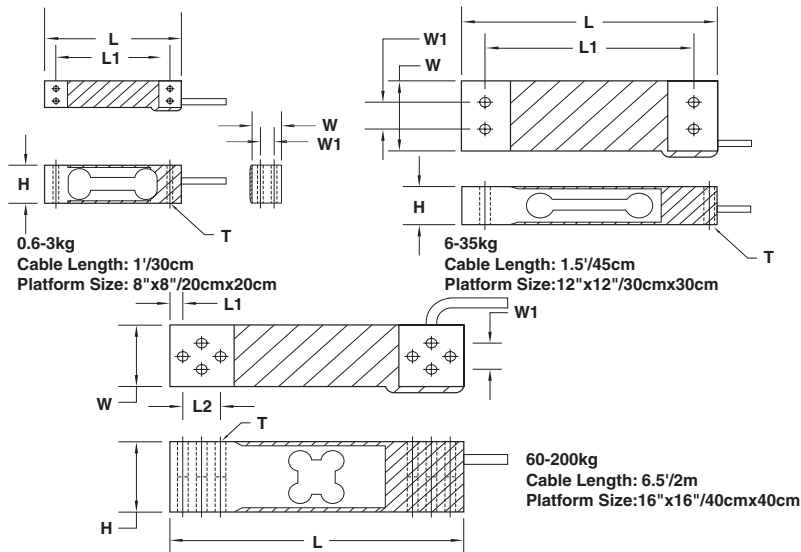
LPS is designed for electronic scales and platform scales where only one load cell can be used and low profile is required. It is the lightest model of Celtron single point load cell family. The design is most suitable for mass production operations.

LPS is constructed of anodized aluminum and is fully potted IP65 levels, providing excellent protection against moisture ingress.

APPLICATIONS

- Packaging machines
- Dosing / filling
- Belt scales / conveyor scales
- In-motion check weigher
- Retail scales / counting scales

OUTLINE DIMENSIONS



CAPACITY (kg)		L	L1	L2	W	W1	H	T
0.6/ 1/ 2/ 3	mm	70.0	58.0	---	15.0	7.0	22.0	M3x0.5
	(inch)	2.76	2.28	---	0.59	0.28	0.87	
6/ 10/ 15/ 20	mm	130.0	106.0	---	30.0	15.0	22.0	M6x1.0
	(inch)	5.12	4.17	---	1.18	0.59	0.87	
30/ 35	mm	130.0	106.0	---	40.0	15.0	22.0	M6x1.0
	(inch)	5.12	4.17	---	1.57	0.59	0.87	
60/ 100/ 200	mm	150.0	7.0	19.0	35.0	15.0	40.0	M6x1.0
	(inch)	5.91	0.28	0.75	1.38	0.59	1.57	



SPECIFICATIONS

Capacity	Standard	OIML C3	NTEP Class III 5000S
	0.6, 1, 2, 3, 6, 10, 15, 20, 30, 35, 60, 100, 200 kg	6, 10, 15, 20, 35 kg	3, 6, 10, 15, 20, 30 kg
Recommended Excitation	10 V AC/DC		
Maximum Excitation	15 V AC/DC		
Output at Rated Load	2 mV/V \pm 10%		
Non linearity	0.025%	0.015%	0.020%
Hysteresis Error	0.025%	0.015%	0.020%
Non Repeatability	0.02%		
Creep (20 minutes)	0.03%	0.02%	0.025%
Zero Return (20 minutes)	0.03%	0.02%	0.025%
Temp. Effect/10°C on Span	0.015%	0.008%	0.010%
Temp. Effect/10°C on Zero	0.026%	0.015%	0.017%
Compensated Temp. Range	-10°C to 40°C		
Operating Temp. Range	-20°C to 60°C		
Zero Balance	\pm 3%		
Input Resistance	410 \pm 10 Ω		
Output Resistance	350 \pm 3 Ω		
Insulation Resistance (50VDC)	>5000M Ω		
Deflection at Rated Load	<1mm		
Safe Overload	150%		
Ultimate Overload	200%		
Minimum Dead Load (%)		0	4
Vmin (% %)		2	1.25

All specifications listed subject to change without notice.

VISHAY TRANSDUCERS (VT) SALES OFFICES

VT Americas
Covina, CA

PH: +1-626-858-8899
FAX: +1-626-332-3418
vt.us@vishaymg.com

VMG France
Chartres

PH: +33-2-37-33-31-20
FAX: +33-2-37-33-31-29
vt.fr@vishaymg.com

VT Canada
Toronto

PH: +1-416-251-2554
FAX: +1-416-251-2690
vt.can@vishaymg.com

VMG Iberica
Madrid

PH: +34-91-7218890
FAX: +34-91-7219056
vt.es@vishaymg.com

VMG UK
Basingstoke

PH: +44-125-646-2131
FAX: +44-125-647-1441
vt.uk@vishaymg.com

VMG Israel
Netanya

PH: +972-9-863-8888
FAX: +972-9-863-8800
vt.il@vishaymg.com

VT Sweden
Karlskoga

PH: +46-586-630-00
FAX: +46-586-630-99
vt.se@vishaymg.com

VT China
Tianjin

PH: +86-22-2835-3503
FAX: +86-22-2835-7261
vt.prc@vishaymg.com

VMG Germany
Heilbronn

PH: +49-7131-3901-260
FAX: +49-7131-3901-2666
vt.de@vishaymg.com

VT Taiwan*
Taipei

PH: +886-2-2696-0168
FAX: +886-2-2696-4965
vt.roc@vishaymg.com
*Asia except China