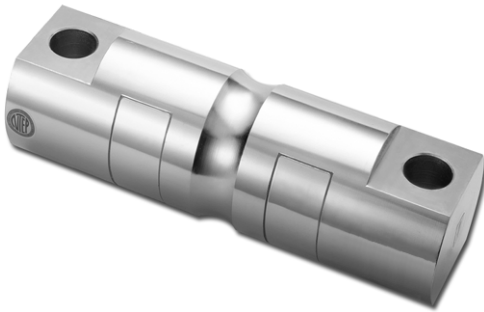


## Cylindrical Double Ended Shear Beam



### FEATURES

- Capacities 5K-150K lb
- Center-loaded double-ended shear beam design
- Free of horizontal movement
- Insensitive to side load
- Electroless nickel plated alloy tool steel
- NTEP Class III 10000 approval from 20K lb to 200K lb

### DESCRIPTION

The double-ended mounting provides good restraint for possible movement of tanks and, in many cases, eliminates the need for check rods. The Shear Beam design gives excellent performance for high capacity loading

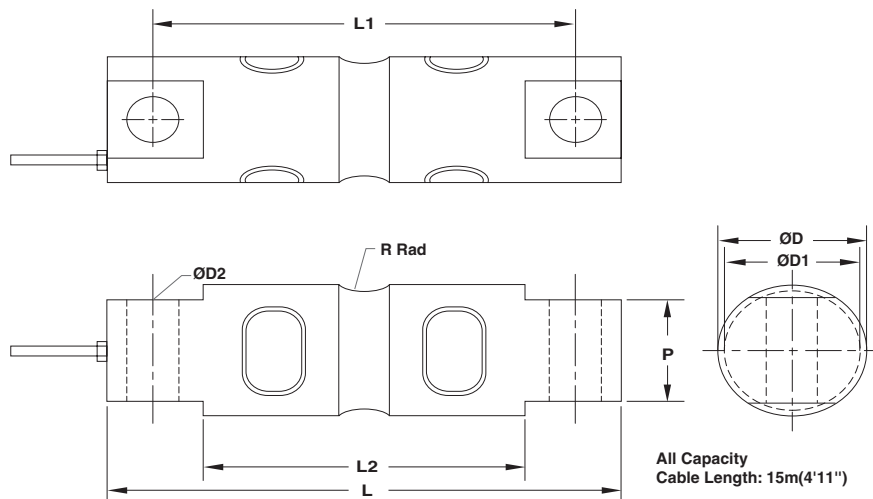
The cylindrical construction provides easy installation with simple loading features.

CSB is constructed of alloy steel and is fully potted with special chemical compounds to IP67 providing excellent protection against moisture and humidity.

### APPLICATIONS

- Truck / rail scales
- Silo / hopper / tank weighing
- Fork-lift scales

### OUTLINE DIMENSIONS



CAPACITY		L	L1	L2	D	D1	D2	P	R
5K/ 10K lb	mm	206.3	174.8	133.1	43.2	37.7	16.8	28.5	12.7
	(inch)	8.12	6.88	5.24	1.70	1.48	0.66	1.12	0.50
20K lb	mm	206.3	174.8	133.1	49.5	37.9	16.8	28.5	12.7
	(inch)	8.12	6.88	5.24	1.95	1.49	0.66	1.12	0.50
30K/ 40K/ 50K/ 60K lb	mm	260.4	215.9	164.8	76.2	69.4	26.9	60.2	25.4
	(inch)	10.25	8.50	6.49	3.20	2.73	1.06	2.37	1.00
100K lb	mm	285.8	241.3	190.2	88.9	82.3	26.9	63.5	25.4
	(inch)	11.25	9.50	7.49	3.5	3.24	1.06	2.50	1.00
150K lb	mm	285.8	241.3	190.2	99.1	92.5	26.9	71.1	38.1
	(inch)	11.25	9.50	7.49	3.90	3.64	1.06	2.80	1.50



## SPECIFICATIONS

Capacity	Standard	NTEP Class IIIL 10000
	5K, 10K, 20K, 30K, 40K, 50K, 60K, 100K, 150K lb	20K, 30K, 40K, 50K, 60K 100K, 150K lb
Recommended Excitation	10 V AC/DC	
Maximum Excitation	15 V AC/DC	
Output at Rated Load	3 mV/V $\pm$ 0.25%	
Non linearity	0.025%	
Hysteresis Error	0.025%	
Non Repeatability	0.02%	
Creep (20 minutes)	0.03%	
Zero Return (20 minutes)	0.03%	
Temp. Effect/10°C on Span	0.015%	0.010%
Temp. Effect/10°C on Zero	0.026%	0.010%
Compensated Temp. Range	-10°C to 40°C	
Operating Temp. Range	-20°C to 60°C	
Zero Balance	$\pm$ 1%	
Input Resistance	770 $\pm$ 10 $\Omega$	
Output Resistance	700 $\pm$ 5 $\Omega$	
Insulation Resistance (50 VDC)	>5000M $\Omega$	
Deflection at Rated Load	<0.5mm	
Safe Overload	150%	
Ultimate Overload	300%	
Minimum Dead Load (%)		5
Vmin (% %)		0.3

All specifications listed subject to change without notice.

## VISHAY TRANSDUCERS (VT) SALES OFFICES

**VT Americas**  
Covina, CA

PH: +1-626-858-8899  
FAX: +1-626-332-3418  
vt.us@vishaymg.com

**VMG France**  
Chartres

PH: +33-2-37-33-31-20  
FAX: +33-2-37-33-31-29  
vt.fr@vishaymg.com

**VT Canada**  
Toronto

PH: +1-416-251-2554  
FAX: +1-416-251-2690  
vt.can@vishaymg.com

**VMG Iberica**  
Madrid

PH: +34-91-7218890  
FAX: +34-91-7219056  
vt.es@vishaymg.com

**VMG UK**  
Basingstoke

PH: +44-125-646-2131  
FAX: +44-125-647-1441  
vt.uk@vishaymg.com

**VMG Israel**  
Netanya

PH: +972-9-863-8888  
FAX: +972-9-863-8800  
vt.il@vishaymg.com

**VT Sweden**  
Karlskoga

PH: +46-586-630-00  
FAX: +46-586-630-99  
vt.se@vishaymg.com

**VT China**  
Tianjin

PH: +86-22-2835-3503  
FAX: +86-22-2835-7261  
vt.prc@vishaymg.com

**VMG Germany**  
Heilbronn

PH: +49-7131-3901-260  
FAX: +49-7131-3901-2666  
vt.de@vishaymg.com

**VT Taiwan\***  
Taipei

PH: +886-2-2696-0168  
FAX: +886-2-2696-4965  
vt.roc@vishaymg.com  
\*Asia except China