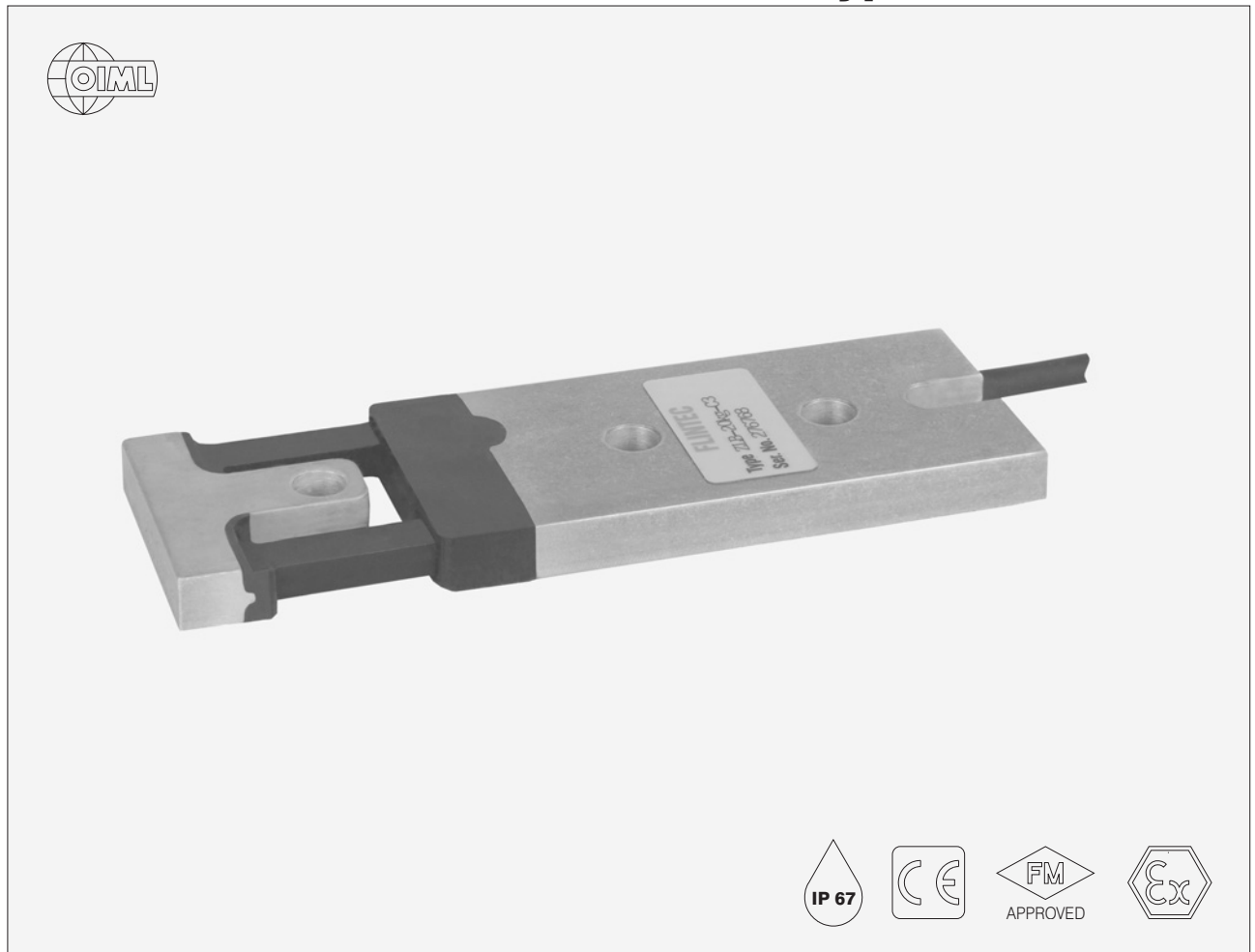


Type ZLB Load Cell



Flintec load cells are designed to meet the most stringent accuracy requirements. Certifications have been obtained from Weights & Measures Authorities, worldwide.

ZLB load cells are available in the capacities 20 kg to 200 kg and include Accuracy Classifications GP, C1 and C3 according to OIML R 60.

They offer aluminium construction with industrial potting, making them suitable for use in tough industrial environments.

It allows very low profile platform design and offers advantages in all kinds of weighing applications.

The Flintec calibration technique (in mV/V/Ω) eliminates time consuming corner calibration in multiple load cell systems.

The ZLB is available for use in hazardous areas zone 1, 2 (gas) and 21, 22 (dust) according to EEx ia IIC T6...T4 T150°C ATEX.

Important Features

- Capacities: 20 kg to 200 kg.
- High accuracy.
- Protection IP 67.
- Low profile.
- High input resistance: 1100 Ω.
- W&M certified for 3000 intervals.
- Calibration in mV/V/Ω.
- Factory mutual approved.

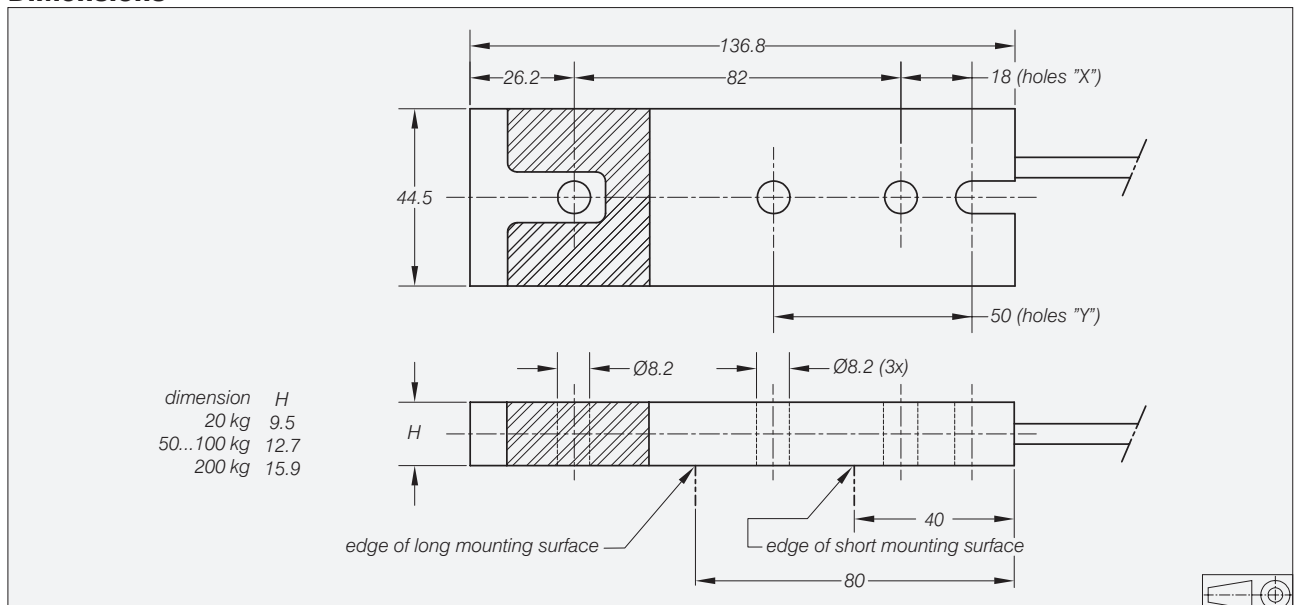
Option

- Explosion protection zone 1, 2, 21 and 22 ATEX.

ZLB Specifications

Maximum capacity (=E _{max})	kg	20 / 50 / 100 / 200		
Rated Output (=RO)	mV/V	2 ± 0.1%		
Calibration in mV/V/Ω	%RO	≤ ± 0.05		
Accuracy class according to OIML R 60		(GP)	C1	C3
Maximum number of verification intervals (n)		n.a.	1000	3000
Minimum load cell verification interval (v _{min})		n.a.	E _{max} /5000	E _{max} /10 000
Combined error	%RO	≤ ± 0.040	≤ ± 0.030	≤ ± 0.020
Creep error (30 minutes) / DR	%RO	≤ ± 0.060	≤ ± 0.049	≤ ± 0.016
Temperature effect on minimum dead load output	%RO/°C	≤ ± 0.0040	≤ ± 0.0028	≤ ± 0.0012
Temperature effect on sensitivity	%/°C	≤ ± 0.0020	≤ ± 0.0016	≤ ± 0.0011
Excitation voltage	V	5...15		
Zero balance	%RO	≤ ± 1.0		
Input resistance	Ω	1172 ± 10		
Output resistance	Ω	1000 ± 1		
Insulation resistance (100 V DC)	MΩ	≥ 5000		
Compensated temperature range	°C	-10...+40		
Operating temperature range	°C	-20...+65		
Safe load limit	%E _{max}	200		
Ultimate load	%E _{max}	300		
Safe side load	%E _{max}	100		
Load cell material		aluminium		
Sealing		potting		
Protection according DIN 40.050		IP 67		

Dimensions



All dimensions in mm. Dimensions and specifications are subject to change without notice.

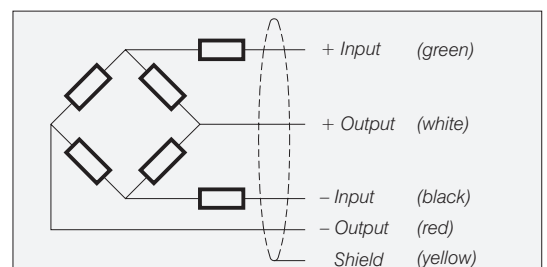
Mounting bolts M8 8.8; torque: 25 Nm. Torque value assumes oiled threads.

Note:

- It is recommended to use mounting holes "Y" on an 80 mm mounting surface. Mounting holes "X" can be used on a short (40 mm) mounting surface. If so, a steel spacer (80 mm long and 10 mm thick) is required for the 200 kg load cell.

Wiring

- The load cell is provided with a shielded, 4 conductor cable (AWG 24).
- Cable length: 3 m.
- Cable diameter: 5 mm.
- The shield is floating.



Load Mounts for Planar Beam Load Cells

Material: Natural rubber
with steel, zinc plated.

Load Mount for ZLB Load Cell

	ØD x H	G	L
20 kg	30 x 15	M8	15
50 kg	30 x 15	M8	20
100 kg	30 x 15	M8	20
200 kg	30 x 15	M8	27

