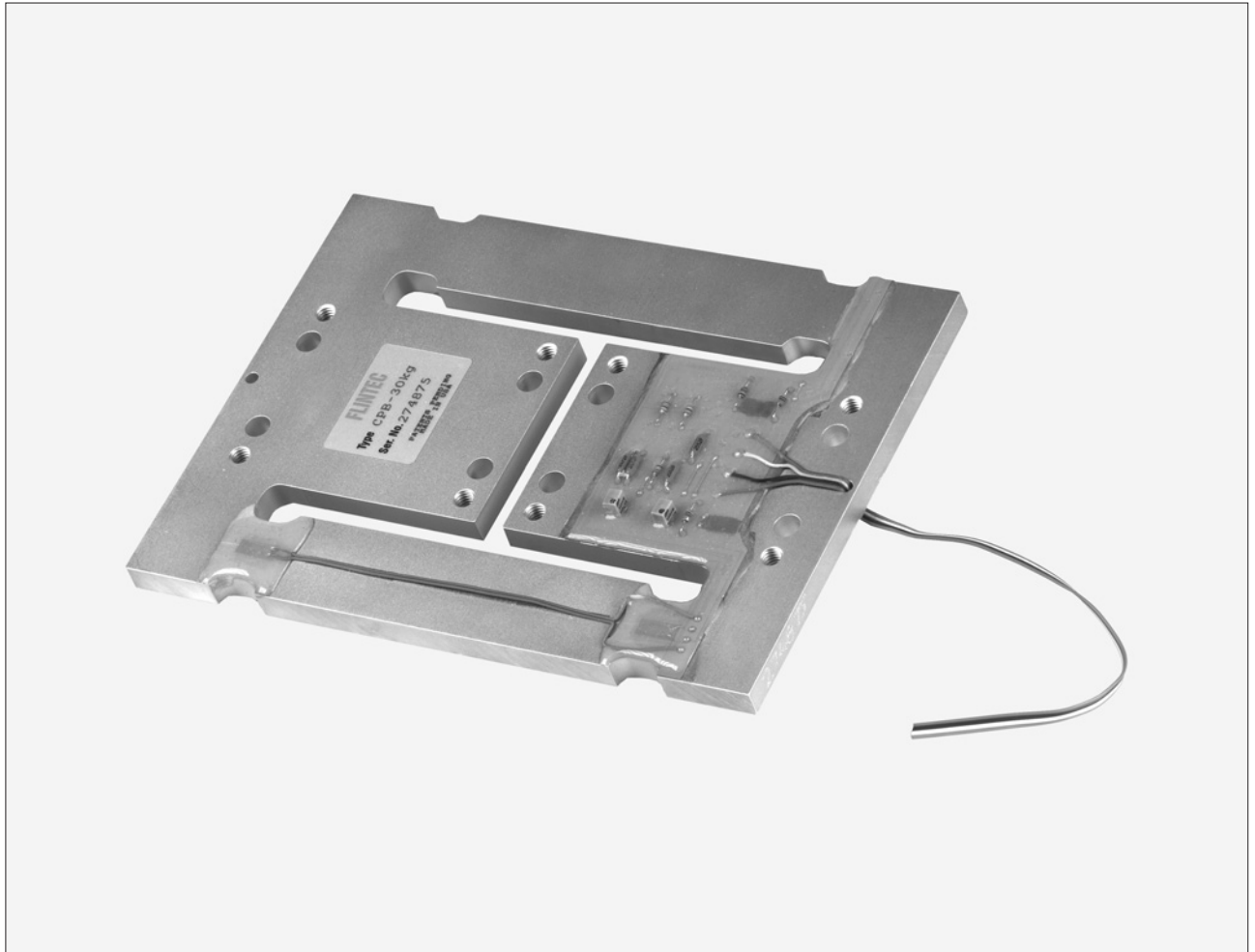


Type CPB Load Cell



Flintec load cells are designed to meet the most stringent accuracy requirements.

The unique, very low profile Compact Planar Beam load cells offer a very low scale profile design while at the same time offering 3000 divisions scale performance.

CPB platform load cells are available in the capacities 3 kg to 60 kg. and include Accuracy Classifications GP and C3 according to OIML R 60.

The off center load performance according OIML allows a maximum platform size of 350 x 350 mm.

One single load cell can be employed, directly coupled to the weighing platform and the supporting base, "Spiders" are not required in this configuration.

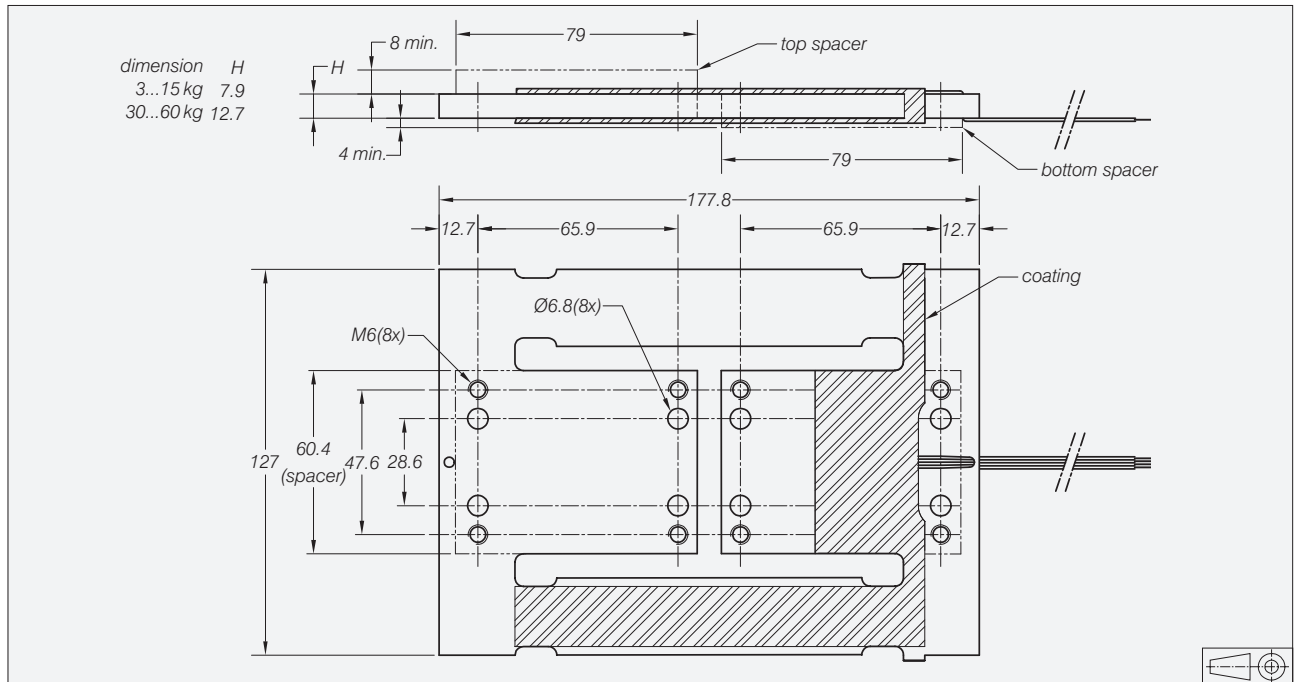
Important Features

- Capacities: 3 kg to 60 kg.
- High accuracy.
- Very low profile.
- Maximum platform size 350 x 350 mm.

CPB Specifications

Maximum capacity (=E _{max})	kg	3 / 6 / 15 / 30 / 60	
Rated Output (=RO)	mV/V	1 ± 10%	
Accuracy class according to OIML R 60		(GP)	C3
Maximum number of verification intervals (n)		n.a.	3000
Minimum load cell verification interval (v _{min})		n.a.	E _{max} /7500
Combined error	%RO	≤ ± 0.040	≤ ± 0.020
Creep error (30 minutes) / DR	%RO	≤ ± 0.060	≤ ± 0.016
Temperature effect on minimum dead load output	%RO/°C	≤ ± 0.0040	≤ ± 0.0014
Temperature effect on sensitivity	%/°C	≤ ± 0.0020	≤ ± 0.0011
Excitation voltage	V	5...15	
Zero balance	%RO	≤ ± 1.0	
Input resistance	Ω	390 ± 10	
Output resistance	Ω	330 ± 25	
Insulation resistance (100 V DC)	MΩ	≥ 5000	
Compensated temperature range	°C	-10...+40	
Operating temperature range	°C	-10...+65	
Safe load limit	%E _{max}	300	
Ultimate load	%E _{max}	400	
Safe side load	%E _{max}	200	
Maximum platform size; loading according OIML	mm	300 x 300 for 3 to 15 kg / 350 x 350 for 30 and 60 kg	
Load cell material		aluminium	
Sealing		environmentally sealed	
Protection according DIN 40.050		IP 65	

Dimensions



All dimensions in mm. Dimensions and specifications are subject to change without notice.

iring

- The load cell is provided with a 4 conductor ribbon cable.
- Cable length: 250 mm.

