

MODEL 60060

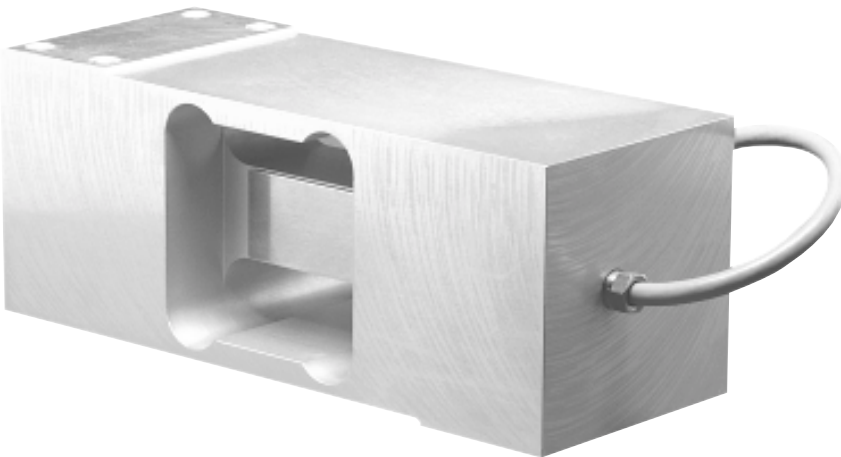
LOW PROFILE PLATFORM LOAD CELL

APPLICATIONS

- Single-point platform scales
- Belt conveyor scales
- Bench and counting scales
- Checkweighing scales
- Hopper scales and netweighing

FEATURES

- Rated capacities of 100 to 2,000 pounds
- Unique shear beam design
- Moment-compensated design for minimal sensitivity to moments induced by off-center loading
- Ideal for situations exceeding the capabilities of similar "brick" design load cells
- Trade certified for NTEP Class III:5,000 Divisions; Class IIII:10,000 divisions and OIML R60 3,000 divisions
- **Sensorgage™** sealed to IP67 standards
- **Cell Guard™** Two Year Warranty
- Factory Mutual System Approved for Classes I, II, III; Divisions 1 and 2; Groups A through G. Also, **Non-Incendive** ratings (No Barriers!)
- ISO 9001 Certified manufacturing facilities



Model 60060 Performance Specifications

Rated Capacities (lbs): 100, 250, 500, 750, 1K, 2K

Full Scale Output (FSO): 2.0 mV/V ±10%

| Accuracy Class: | Standard | NTEP III ⁽¹⁾ | NTEP IIII ⁽¹⁾ | OIML R60 ⁽¹⁾ |
|-----------------------------------|--------------------------|------------------------------|--------------------------|-------------------------|
| Max. No. Verification Intervals | -- | 5,000 Multiple | 10,000 Multiple | 3,000 |
| Combined Error % FSO | ≤ 0.03 | -- | -- | -- |
| Non-Linearity % FSO | ≤ 0.03 | -- | -- | -- |
| Hysteresis % FSO | ≤ 0.02 | -- | -- | -- |
| Creep Error % FSO | ≤ 0.03 in 20 minutes | -- | -- | -- |
| Temperature Effect on: | | | | |
| • Zero % FSO/°F | ≤ 0.0015 | -- | -- | -- |
| • Output % of Load/°F | ≤ 0.0008 | -- | -- | -- |
| Non-Repeatability % FSO | | ≤ .01 | | |
| Zero Balance % FSO | | ≤ 1.0 | | |
| Insulation Resistance | | > 1000 Mohms at 50VDC | | |
| Compensated Temperature Range | | 14° to 104°F / -10° to 40°C | | |
| Operating Temperature Range | | 0° to 150°F / -18° to 65°C | | |
| Storage Temperature Range | | -60° to 185°F / -50° to 85°C | | |
| Input Resistance | | 400 Ohms Nominal | | |
| Output Resistance | | 349-355 Ohms | | |
| Recommended Excitation Voltage | | 10 Volts DC | | |
| Maximum Excitation Voltage | | 15 Volts DC | | |
| Sideload Rejection Ratio | | 500:1 | | |
| Safe Sideload | | 100% of Rated Capacity | | |
| Safe Overload | | 150% of Rated Capacity | | |
| Ultimate Overload | | 300% of Rated Capacity | | |
| Sealing | | Meets IP67 Standards | | |
| Material | | Aluminum | | |
| Finish | | Natural | | |
| Moment Compensation: | <u>250 - 1,000 lbs.</u> | | <u>2,000 lbs.</u> | |
| • Moment Sensitivity (lbs - inch) | ≤ 0.005% of applied load | | ≤ 0.005% of applied load | |
| • Maximum Moment (lbs - inch) | 10 x Capacity | | 10,000 | |
| • Platform Size (inch) | 30 x 30 | | 30 x 30 | |

⁽¹⁾ Note: 250 to 2K Capacities Only

WIRING

| FUNCTION | COLOR |
|--------------|-------|
| + Excitation | Red |
| - Excitation | Black |
| + Output | Green |
| - Output | White |

| CAPACITY | Deflection | Weight |
|-----------|------------|--------|
| 100 - 250 | 0.010 | 6.0 |
| 500 - 2K | 0.006 | 6.0 |

Dimensions are in inches. Capacities are in pounds. Deflection is ±10%. Specifications are subject to change. Certified drawings are available.

4 CONDUCTOR; 22 AWG CABLE, SHIELDED & JACKETED; 10 FOOT STANDARD LENGTH OR PER SALES ORDER.

