

Model 355

Bending Beam Load Cells



Features

- Capacities: 5 - 500 kg (11 - 1102 lbs)
- Complete stainless steel construction
- Industry standard size and shape
- Hostile environment capability
- OIML R60 and NTEP approved
- Hermetically sealed to IP68
- 6 Wire (sense) circuit

Model 355 is a welded bending beam load cell manufactured in stainless steel. Hermetically sealed against moisture the model 355 construction and polyurethane shielded cable enables the load cell to function in harsh environments while maintaining its operating specifications.

The low profile, high accuracy and sealing makes this load cell highly suitable for applications such as low profile platforms, weighing and packaging machines, conversions of mechanical scales and a variety of other applications where sealed cells are required.

The two additional sense wires feed back the voltage reaching the load cell. Complete compensation of change in the lead resistance due to temperature change and/or cable extension is achieved by feeding this voltage into the appropriate electronics.

Also Available from Tedeia-Huntleigh

A conversion kit can be provided that converts the model 355 to an 'S' type load cell. Other accessories include *Cellmates* for vessel weighing, *Shock Mounts* to minimize vibration and *Ball-in-cup* providing a flexible pivot.

Europe
Tedeia-Huntleigh
Europe Ltd.
37 Portmanmoor
Road
Cardiff
CF24 SHE

International
Tedeia-Huntleigh Inter-
national Ltd.
5 Hozoran St.
New Industrial Zone
P.O. Box 8381, Netanya
42506

China
Beijing Tedeia-Huntleigh
No. 16 Hong Da Bei Lu
Da Xing County, Beijing
Economic & Technology
Development Area,
Beijing 100176
Tel:+86-10-67881604-

Germany
Tedeia-Huntleigh
GmbH.
Mumlingweg 18
D-64297
Darmstadt-
Eberstadt

France
SEEA sa
16 Rue Francis
Vovelle
28000 Chartres
France



EXCELLENCE IN LOAD CELLS

Contact Info

E-mail
sales@tedea-huntleigh.com
Website
www.tedeia-huntleigh.com

20630 PLUMMER ST
CHATSWORTH CA 91311
USA

TEL: 800.626.2616
FAX: 818.701.2799

Model 355

Bending Beam Load Cells

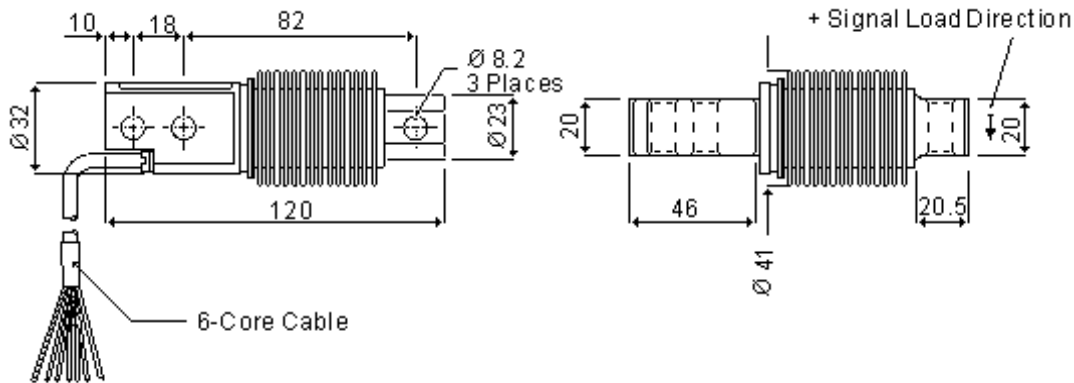
GRADE	Z	E	C2/15	C3	C4	UNITS
Rated Capacities	**5, 10, 20, 50, 100, 200, 250, 500					kg
Rated Output	2.2 ± 10%	2.0 ± 0.1%				mV/V
Total Error*	0.070	0.050	0.030	0.020	0.015	±% of Rated Output
Creep at Rated Capacity Zero Return after 30 mins	0.065	0.050	0.025	0.017	0.012	±% of Applied Load
Zero Balance	5	3	2	2	2	±% of Rated Output
Temperature Range: Operating	-30 °C to +80 °C					°C
Temperature Range: Compensated	-10 °C to +40 °C					°C
Temperature Effect: On Output	0.007	0.004	0.0012	0.0010	0.0007	% of Applied Load / °C
Temperature Effect: On Zero	0.015	0.007	0.0010	0.0014	0.0010	% of Applied Load / °C
Safe Overload	150					% of Rated Capacity
Ultimate Overload	300					% of Rated Capacity
Excitation: Recommended	10					
Excitation: Maximum	15					Volts AC or DC
Input Impedance	380 ± 10					Ohms
Output Impedance	350 ± 3					Ohms
Insulation Impedance	>1000					Mega Ohms
Deflection at Rated Capacity	<0.4					mm
Weight	0.35					kg
Construction	Stainless Steel					
Environmental Protection	IP68					
Cable	3 Meters (Standard), 6 Wire Polyurethane Jacket Dual Screen (Not Connected to Load Cell Body)					
Approvals	OIML R60, NTEP					

* Total Error - According to OIML R60

Grades C1 and C2 are available on request.

** For 5 & 10kg accuracies above Z & E consult factory.

Outline Dimensions All Capacities (in mm)



Wiring Schematic Diagram

