

Model 343

Shear Beam Load Cells



Features

- Capacities: 500 - 5000 kg (1102 - 11022 lbs)
- Stainless steel construction
- Fully welded protection
- 6 Wire (sense) circuit
- IP68 protection
- Hazardous area approved: EEx ia IIC T6

Model 343 is a stainless steel shear beam load cell designed to provide the process weighing industry with the protection (IP68) necessary for hostile environments. The model 343 is ideal for tank and silo weighing, the robust construction enables it to meet the harsh mechanical demands of most process weighing applications.

Hermetically sealed against moisture, the construction of the model 343 in a combination with a polyurethane dual shielded cable, enables continuous operation in harsh environments whilst maintaining a high operating specification.

The two additional sense wires feed back the voltage reaching the load cell. Complete compensation of changes in lead resistance due to temperature change and/or cable extension, is achieved by feeding this voltage into the appropriate electronics.



EXCELLENCE IN LOAD CELLS

Contact Info

E-mail
sales@tedea-huntleigh.com
Website
www.tedea-huntleigh.com

Europe
Tedeo-Huntleigh
Europe Ltd.
37 Portmanmoor
Road
Cardiff
CF24 SHE

International
Tedeo-Huntleigh Inter-
national Ltd.
5 Hozoran St.
New Industrial Zone
P.O. Box 8381, Netanya
42506

China
Beijing Tedeo-Huntleigh
No. 16 Hong Da Bei Lu
Da Xing County, Beijing
Economic & Technology
Development Area,
Beijing 100176
Tel:+86-10-67881604-

Germany
Tedeo-Huntleigh
GmbH.
Mumlingweg 18
D-64297
Darmstadt-
Eberstadt

France
SEEA sa
16 Rue Francis
Vovelle
28000 Chartres
France

20630 PLUMMER ST
CHATSWORTH CA 91311
USA

TEL: 800.626.2616
FAX: 818.701.2799

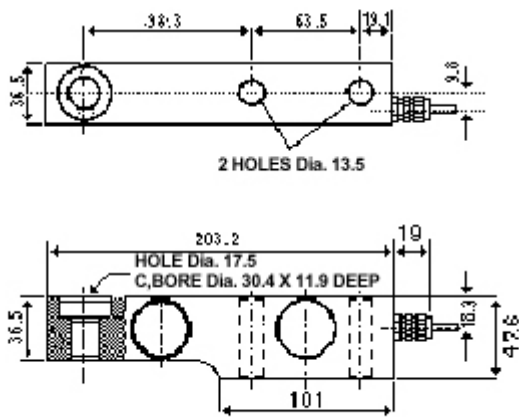
Model 343

Shear Beam Load Cells

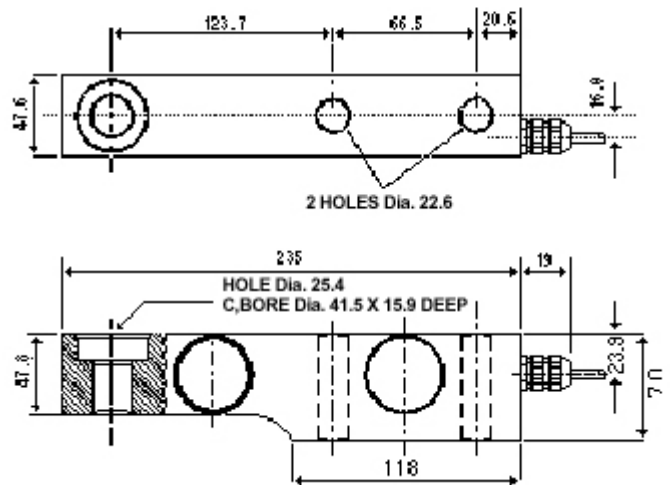
GRADE	X	Y	UNITS
Rated Capacities	500, 1000, 2000, 5000		kg
Rated Output	2.0 ± 0.25%		mV/V
Total Error*	0.050	0.025	±% of Applied Load
Zero Return after 30 mins	0.040	0.025	±% of Applied Load
Temperature Effect: On Output	0.0030	0.0015	±% of Applied Load / °C
Temperature Effect: On Zero	0.0050	0.0026	±% of Rated Load Output / °C
Zero Balance	1.0		±% of Rated Output
Temperature Range: Operating	-30 to +70		°C
Temperature Range: Compensated	-10 to +40		°C
Safe Overload	150		% of Rated Capacity
Ultimate Overload	300		% of Rated Capacity
Excitation: Recommended	10		Volts AC or DC
Excitation: Maximum	15		Volts AC or DC
Input Impedance	420 ± 20		Ohms
Output Impedance	350 ± 3		Ohms
Insulation Impedance	>1000		Mega Ohms
Deflection at Rated Capacity	<0.4		mm
Weight: 500, 1000 & 2000 Kg	2.5		kg
Weight: 5000 Kg	4.5		kg
Construction	Stainless Steel		
Environmental Protection	IP68		
Cable	5 Meters (Standard), 6 Wire Polyurethane Jacket, Dual Floating Screen		
Approvals	EEx ia IIC T6		

* Total Error - According to OIML R60

Outline Dimensions Capacities 500, 1000, 2000 Kg
Dimensions All Capacities (in mm)



Outline Dimensions Capacities 5000 Kg ONLY



Wiring Schematic Diagram

