

Aluminum Single Point Load Cell



FEATURES

- Capacities 3-90kg
- Anodized aluminum construction
- Single point 400 x 400mm platform
- 6 wire (sense) circuit
- Adjustable overload protection
- NTEP and factory mutual approved
- Hazardous area approved to EEx ia IIc

Model 1015 is a single point load cell designed for direct mounting of low cost, low capacity weighing platforms.

Its use in large platforms, combined with its high accuracy and low cost, makes this load cell ideally suited for a large range of weighing applications, including bench scales, and counting scales.

A special humidity resistant protective coating is available which assures long term reliability. For hazardous environments this load cell has EEx ia IIc T4 level approved option.

Model 1015's built-in overload stop can provide mechanical protection against overloading.

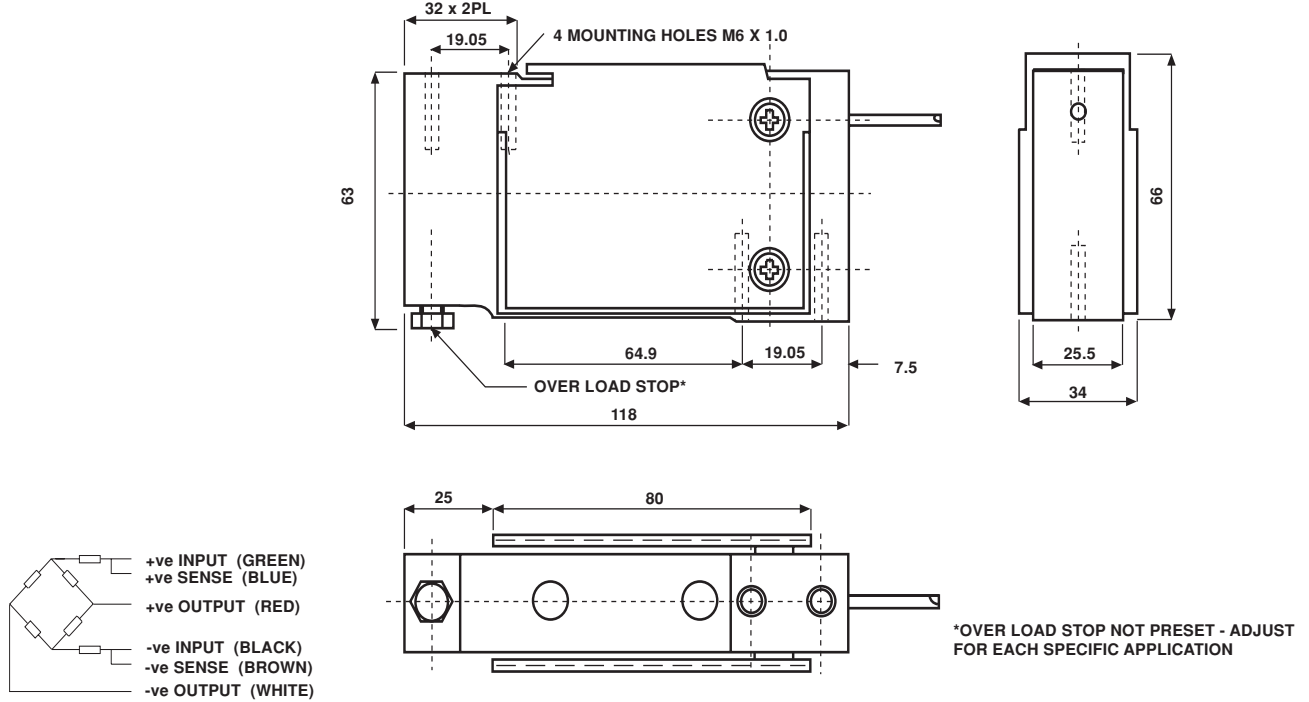
The two additional sense wires feed back the voltage reaching the load cell. Complete compensation of changes in lead resistance due to temperature change and/or cable extension, is achieved by feeding this voltage into the appropriate electronics.

SPECIFICATIONS			
GRADE	E	G	UNITS
Rated capacities	3, 5, 7, 10, 15, 20, 30, 50 [#] , 90 ^{**}		kg
Rated Output	2.0 ± 10%		mV/V
Total Error*	0.030	0.020	±% of Applied Load
Zero Return after 30 mins	0.050	0.017	±% of Applied Load
Temperature Effect:	On output	0.003	±% of Applied Load/°C
	On zero	0.010	±% of Rated Output/°C
Eccentric Loading Error	0.0074	0.0049 [#]	±% of Applied load/cm
Zero Balance	10.0		±% of Rated Output
Temperature Range: Operating Compensated	- 30 to + 70		°C
	- 10 to + 40		°C
Safe Overload	150		% of Rated Capacity
Ultimate Overload	300		% of Rated Capacity
Excitation: Recommended Maximum	10		Volts AC or DC
	15		Volts AC or DC
Input Impedance	415 ± 15		Ohms
Output Impedance	350 ± 3		Ohms
Insulation Impedance	> 5000		MegaOhms
Deflection at Rated Capacity	< 0.4		mm
Weight	0.4		kg
Construction	Anodized Aluminum		
Environmental Protection	IP54 (IP67 Optional)		
Cable	1 Meter (Standard), 6 Wire PVC Jacket, Floating Screen		

*Total Error - According to OIML R60 #50kg Eccentric loading error 0.0057 (35x35cm platform). **90kg available in E & F grades only.

Aluminium Single Point Load Cell

DIMENSIONS in millimeters



VISHAY TRANSDUCERS (VT) - SALES OFFICES

<p>VT Americas Covina, CA PH: +1-800-722-0820 FAX: +1-626-332-3418 vt.us@vishaymg.com</p>	<p>VT Canada Toronto PH: +1-416-251-2554 FAX: +1-416-251-2690 vt.can@vishaymg.com</p>	<p>VT UK Basingstoke PH: +44-125-646-2131 FAX: +44-125-647-1441 vt.uk@vishaymg.com</p>	<p>VT Sweden Karlskoga PH: +46-586-630-00 FAX: +46-586-630-99 vt.se@vishaymg.com</p>	<p>VT Germany Heilbronn PH: +49-7131-3901-260 FAX: +49-7131-3901-2666 vt.de@vishaymg.com</p>	<p>VT France Chartres PH: +33-2-37-33-31-20 FAX: +33-2-37-33-31-29 vt.fr@vishaymg.com</p>
<p>VT Spain Madrid PH: +34-91-7218890 FAX: +34-91-7219056 vt.es@vishaymg.com</p>	<p>VT Finland Jorvas PH: +358-(0)9-8194-220 FAX: +358-(0)9-8194-2211 vt.fi@vishaymg.com</p>	<p>VT Norway Oslo PH: +47-22-21-40-70 FAX: +47-22-21-92-10 vt.no@vishaymg.com</p>	<p>VT Israel Netanya PH: +972-9-863-8888 FAX: +972-9-863-8800 vt.il@vishaymg.com</p>	<p>VT China Tianjin PH: +86-22-2835-3503 FAX: +86-22-2835-7261 vt.prc@vishaymg.com</p>	<p>VT Taiwan* Taipei PH: +886-2-2696-0168 FAX: +886-2-2696-4965 vt.roc@vishaymg.com *Asia except China</p>